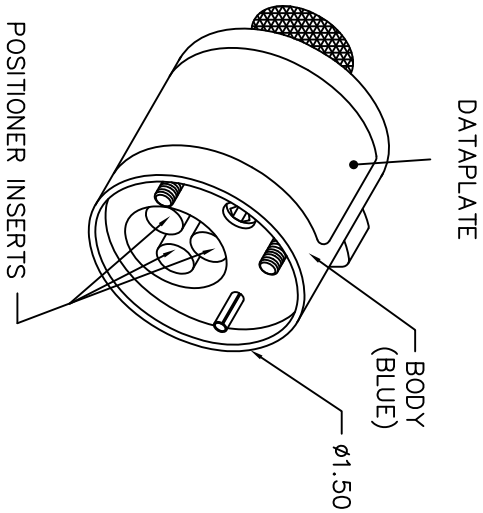


CANNON CONTACT	COLOR CODE	26	24	22	20	18	16	WIRE SIZE
031-0964-000	BLUE	1	2	3	4			
031-9096-002	BLUE	1	2	3	4			
031-9174-003	BLUE	1	2	3	4			
031-9134-001	BLUE	1	2	3	4			
031-9084-001	GREEN				3	3	4	
031-1007-000	GREEN							
031-9134-004	RED	1	2	3	4			
030-9081-003	RED	1	2	3	4			



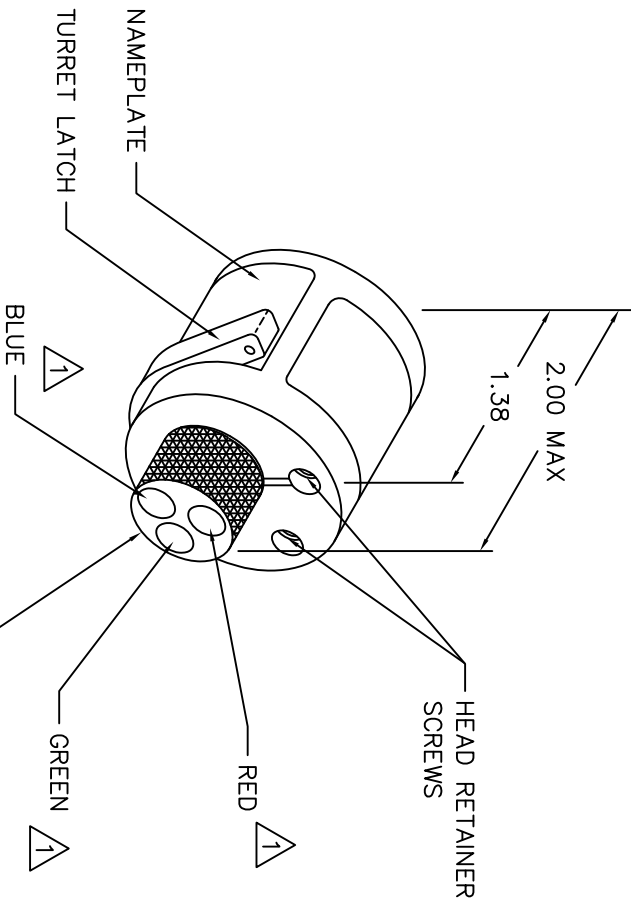
POSITIONER COLOR	* HOLE DIMENSIONS	ADDITIONAL FEATURES
BLUE	Ø.084 ±.84 MIN.	
GREEN	Ø.113 ±.84 MIN.	□ Ø.133 ±.074
RED	Ø.074 ±.84 MIN.	

\* HOLE DEPTH DIMENSIONS ARE MEASURED FROM THE TOP OF THE POSITIONER INSERTS.

REV.	E.C.O. NUMBER	DESCRIPTION	BY	DATE	APP'D
1		ORIGINAL RELEASE	JMM	7/2/07	7/2/07

**UNCONTROLLED DOCUMENT  
WILL NOT BE UPDATED**

1 RANDOM ORDER OF ROTATION IS ACCEPTABLE.



RESTRICTED & CONFIDENTIAL  
CONFIDENTIAL PROPERTY OF DANIELS MANUFACTURING CORP. NOT TO BE DISCLOSED TO OTHERS, REPRODUCED OR TRANSMITTED IN ANY FORM OR BY ANY MEANS, ELECTRONIC OR MECHANICAL, INCLUDING PHOTOCOPYING, RECORDING, OR BY ANY INFORMATION STORAGE AND RETRIEVAL SYSTEM, WITHOUT THE WRITTEN PERMISSION OF DANIELS MANUFACTURING CORP. ON COMPLETION OF ORDER OR OTHER PURPOSE FOR WHICH LENT.

DO NOT SCALE DRAWING

ITEM	PART NO.	QTY.	DESCRIPTION/REMARKS
DRN. J. JOYCE	DATE 7/2/07		
CHK'D. RRR	DATE 7/2/07		
APP'D.	DATE		
NOTE:	THIS DRAWING IS AN OUTLINE DRAWING. ACTUAL DIMENSIONS INDICATED. ACTUAL DIM PART NUMBER IS DRAWING NUMBER WITHOUT THE "-ENV" SUFFIX.		
TITLE		WHERE USED:	CAD P/N
ENVELOPE DRAWING TURRET HEAD		AFB	TH276-ENV
DANIELS MANUFACTURING CORP. ORLANDO, FLORIDA CASE 11851			
SIZE	SCALE		SHEET OF
B	NTS		1
POSTING		DWG. NO.	REV.
		TH276-ENV	1