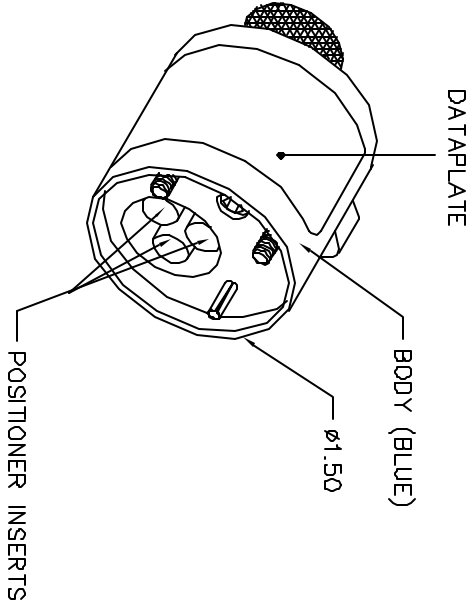


**UNCONTROLLED DOCUMENT  
WILL NOT BE UPDATED**

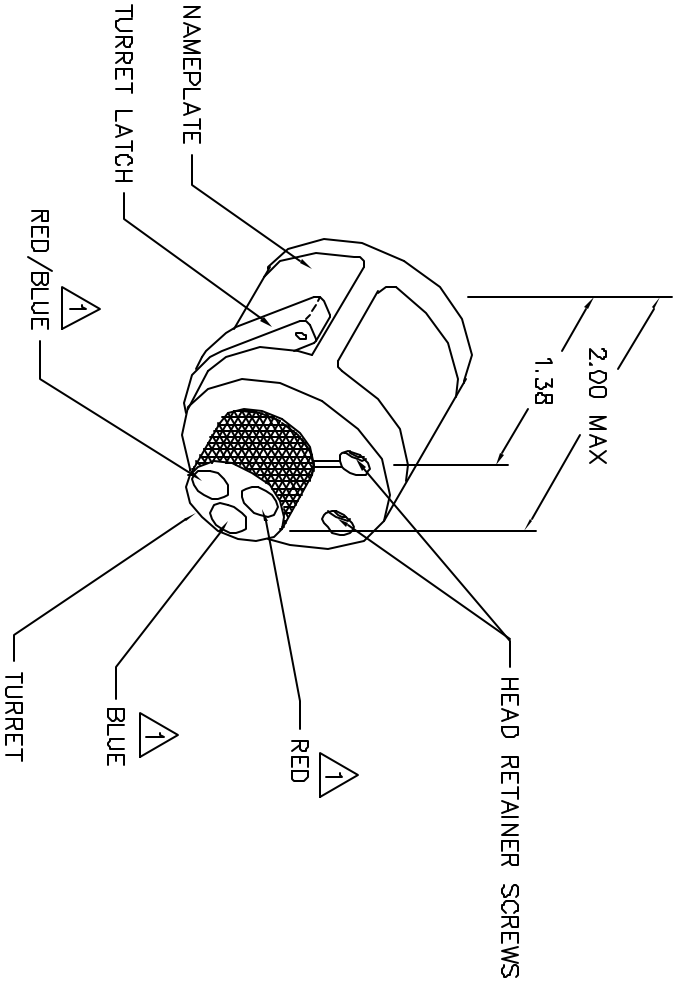
REVISIONS			
REV. NO.	DESCRIPTION	DATE	BY
1	ORIGINAL RELEASE	10-21-88	MS

BENDIX PTCE	COLOR CODE	24	22	20	18	16	WIRE SIZE
10-189000-20X	RED	3	4	5			SELECTOR NO.
10-189002-20X	RED						
10-189004-16X	BLUE			5	6	7	
10-189006-16X	BLUE			4	5	6	
10-195962-202	RED						
10-195963-202	BLUE						



POSITIONER COLOR	HOLE DIMENSIONS	ADDITIONAL FEATURES
RED	$\phi .110$ $\pm .755$	/
BLUE	$\phi .141$ $\pm .714$	/
RED/BLUE	$\phi .110$ $\pm .755$	/

\* HOLE AND COUNTERBORE DEPTHS ARE MEASURED FROM TOP OF POSITIONER INSERTS.



▲ 1 RANDOM ORDER OF ROTATION IS ACCEPTABLE.

RESTRICTED & CONFIDENTIAL		CONFIDENTIAL PROPERTY OF DANIELS MANUFACTURING CORP. NOT TO BE REPRODUCED OR TRANSMITTED IN ANY FORM OR BY ANY MEANS, ELECTRONIC OR MECHANICAL, INCLUDING PHOTOCOPYING, RECORDING, OR BY ANY INFORMATION STORAGE AND RETRIEVAL SYSTEM, WITHOUT PERMISSION IN WRITING BY DANIELS MANUFACTURING CORP. ON COMPLETION OF ORDER OR OTHER PURPOSE FOR WHICH SENT.	
ITEM NO.	PART NO.	QTY.	DESCRIPTION/REMARKS
REV. NO.	LINE	DATE	DATE
DRW. NO.	RFR	10-21-88	10-22-88
APP'D.	AM	10-25-88	10-25-88
DATE	DATE		
TITLE		DANIELS MANUFACTURING CORP. ORLANDO, FLORIDA CASE 17851	
ENVELOPE DRAWING TURRET HEAD		DATE	
SIZE	SCALE	DRW. P/N	SHEET
B	NIS	TH254-ENV	1 OF 1
POSITION		P/N	REV.
		TH254-ENV	1

DO NOT SCALE DRAWING