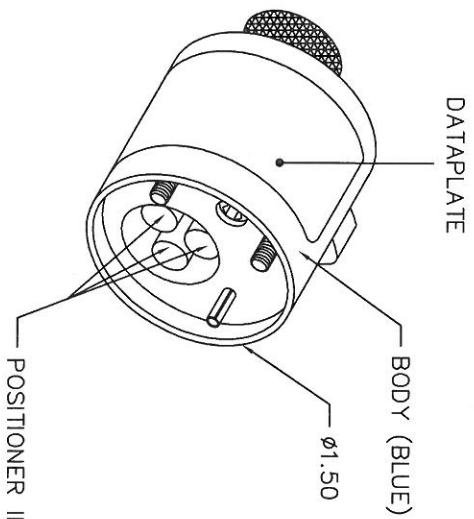


REVISIONS				
REV. SYM.	E.C.O. NUMBER	DESCRIPTION	BY DATE	APP'D DATE
1		ORIGINAL RELEASE	12-14-12	

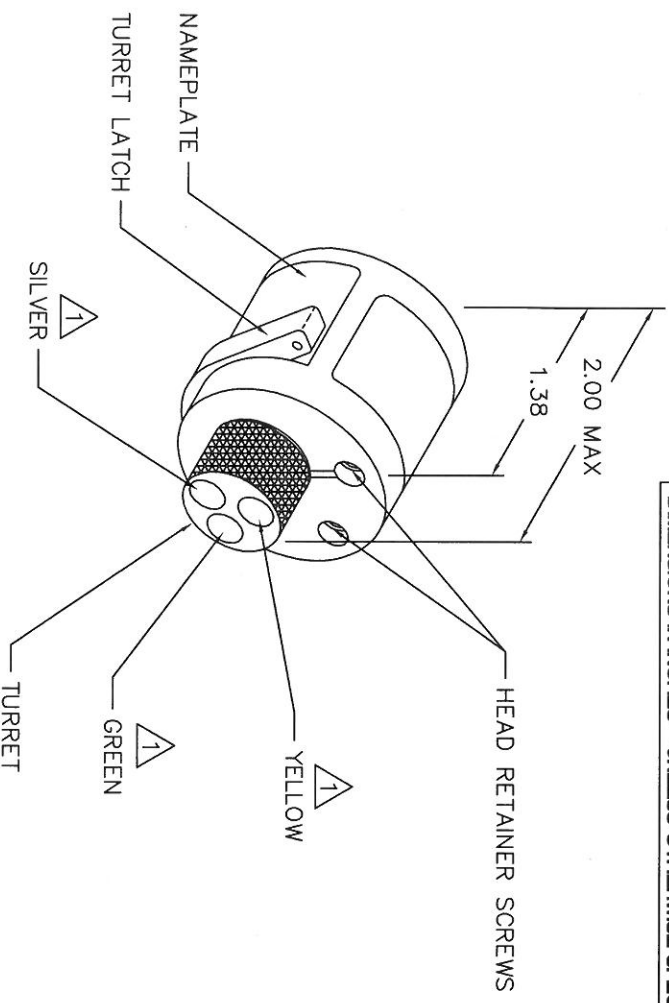
**UNCONTROLLED DOCUMENT
WILL NOT BE UPDATED**

DIMENSIONS IN INCHES - UNLESS OTHERWISE SPECIFIED

AMPHENOL CONTACT	COLOR CODE	RG 58	RG 62	RG 142	RG 180	RG 188	RG 195	WIRE SIZE	SELECTOR NO.
31-1965-1	GREEN	5	4	5		4			
31-1965-2	GREEN								
31-1965-3					4				4
31-1962-1		5		5					
31-1962-2	YELLOW		5						
31-1962-3					3		4		4



POSITIONER COLOR	HOLE DIMENSIONS	ADDITIONAL FEATURES
YELLOW	$\phi .055$ $\nabla .375$	$\phi .125$ $\nabla .070$
GREEN	$\phi .089$ $\nabla .360$	
SILVER		



$\nabla 1$ RANDOM ORDER OF ROTATION IS ACCEPTABLE.

* HOLE AND COUNTERBORE DEPTHS ARE MEASURED FROM TOP OF POSITIONER INSERTS.

RESTRICTED & CONFIDENTIAL		CONSEQUENTIAL PROPERTY OF DANIELS MANUFACTURING CORP. NOT TO BE DISCLOSED TO OTHERS, REPRODUCED OR USED FOR ANY OTHER PURPOSE, EXCEPT AS AUTHORIZED IN WRITING BY DANIELS MANUFACTURING. MUST BE RETURNED TO DANIELS MANUFACTURING FOR REUSE OR FOR OTHER PURPOSE FOR WHICH INT.	
ITEM NO.	PART NO.	QTY.	DESCRIPTION/REMARKS
DRN: <i>George</i>	DATE: 12-14-12		DANIELS MANUFACTURING CORP. ORLANDO, FLORIDA CAGE 11851
CHK'D: <i>Stilwell</i>	DATE:		
APP'D: <i>Stilwell</i>	DATE:		
APP'D:	DATE:		
NOTE: THIS DRAWING IS AN OUTLINE DRAWING OF THE RESPECTIVE DIM PART NUMBER INDICATED. ACTUAL DIM PART NUMBER IS DRAWING THE -ENV- SUFFIX.			
WHERE USED:	SIZE	CAD P/N	SHEET
AFB	B	TH252-ENV	1 OF 1
	NTS		REV. 1
		DWG. NO. TH252-ENV	
DO NOT SCALE DRAWING			