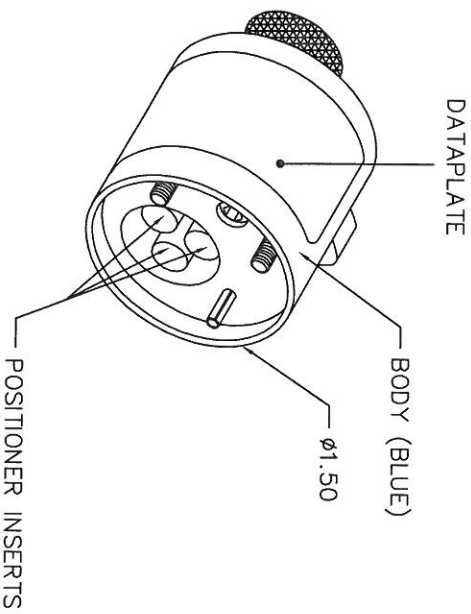


REVISIONS			
REV. SYM.	E.C.O. NUMBER	DESCRIPTION	BY DATE
1		ORIGINAL RELEASE	5-13-13

**UNCONTROLLED DOCUMENT
WILL NOT BE UPDATED**

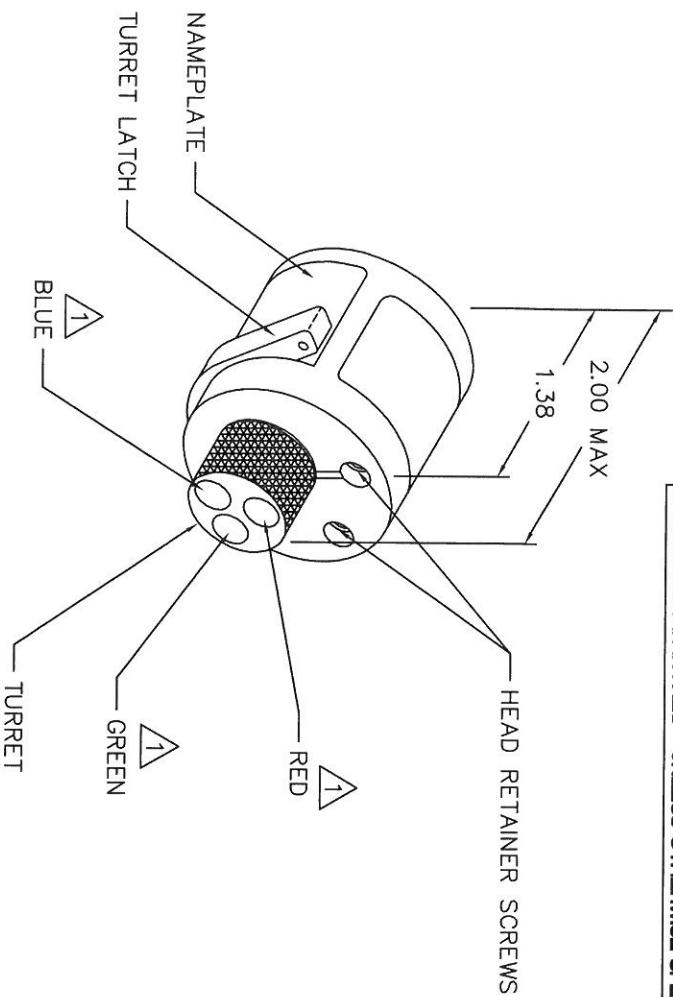
DIMENSIONS IN INCHES - UNLESS OTHERWISE SPECIFIED

SOCAPEX CONTACTS	COLOR CODE	24	22	20	18	16	14	12	WIRE SIZE
800650	RED	2	3	4	5				S R E F L E C T O R
800654	RED								
41481	BLUE							8	T H 2 4 8
41482	BLUE								
800620									
38963	GREEN	2	3	4	5				



POSITIONER COLOR	HOLE DIMENSIONS	ADDITIONAL FEATURES
RED	Ø.089 T THRU	□Ø.096 T.015
GREEN	Ø.063 T THRU	□Ø.152 T.360
BLUE	Ø.176 T THRU	□Ø.196 T.050

* HOLE AND COUNTERBORE DEPTHS ARE MEASURED FROM TOP OF POSITIONER INSERTS.



1 RANDOM ORDER OF ROTATION IS ACCEPTABLE.

RESTRICTED & CONFIDENTIAL

CONFIDENTIAL PROPERTY OF DANIELS MANUFACTURING CORP. NOT TO BE DISCLOSED TO OTHERS, REPRODUCED OR USED FOR ANY OTHER PURPOSE, EXCEPT AS AUTHORIZED IN WRITING BY DANIELS MANUFACTURING CORP. ON COMPLETION OF ORDER OR OTHER PURPOSE FOR WHICH SENT.

DO NOT SCALE DRAWING

ITEM	PART NO.	QTY.	DESCRIPTION/REMARKS
DRG. <i>5-13-13</i>			
CHK'D. <i>5-13-13</i>			
APP'D.	DATE		
APP'D.	DATE		
APP'D.	DATE		

NOTE: THIS DRAWING IS AN OUTLINE DRAWING OF THE RESPECTIVE INDICATED. ACTUAL DIM PART NUMBER IS DRAWING NUMBER WITHIN THE "ENV" SYM.		WHERE USED: AFB	CAD P/N	SHEET
ENVELOPE DRAWING			TH248-ENV	1 OF 1
TURRET HEAD			TH248-ENV	1 OF 1

DMC DANIELS MANUFACTURING CORP.
ORLANDO, FLORIDA
CAGE 11851