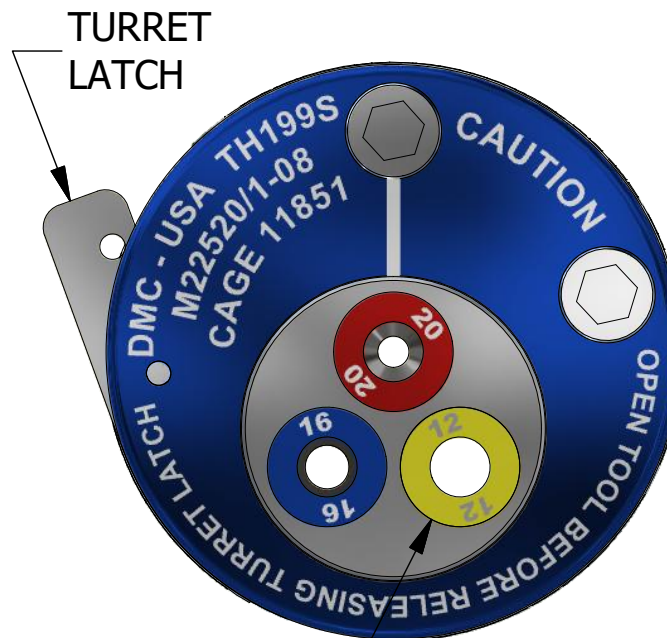


DATAPLATE

| M39029 | COLOR CODE | 26 | 24 | 22 | 20 | 18 | 16 | 14 | 12 | WIRE SIZE | SELECTOR No. |
|-----------------------------|------------|----|----|----|----|----|----|----|----|-----------|--------------|
| /33-266; /46-306 /47-316 | RED | 1 | 2 | 3 | 4 | | | | | | |
| /33-268; /46-308 /47-337 | BLUE | | | | 4 | 5 | 6 | | | | |
| /33-270; /46-310 /47-339 | YELLOW | | | | | | | 7 | 8 | | |

3X POSITIONER INSERTS



TURRET LATCH

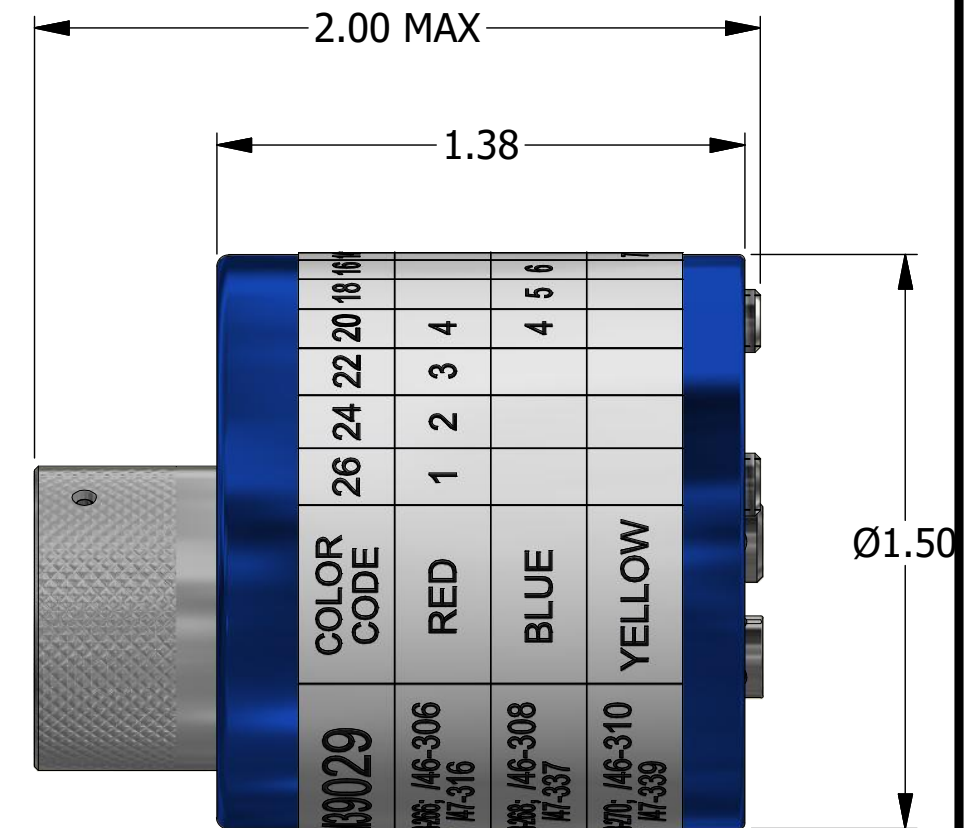
RANDOM ORDER OF ROTATION IS ACCEPTABLE FOR POSITIONER INSERTS

| INSERT COLOR | HOLE DIMENSIONS | ADDITIONAL FEATURES |
|--------------|-----------------|---------------------|
| RED | ∅.082 ▽THRU | └∅.1040 ▽.062 |
| BLUE | ∅.114 ▽THRU | └∅.134 ▽.054 |
| YELLOW | ∅.163 ▽.THRU | └∅.191 ▽.056 |

REVISIONS

| REV | ECO NO. | DESCRIPTION | BY | DATE | APP'D BY | DATE |
|-----|---------|-------------------|-------|-----------|----------|-----------|
| 1 | | ORIGINAL RELEASE | JMC | 7/23/2003 | JWJ | 7/23/2003 |
| 2 | 23573 | UPDATED & REDRAWN | TonyD | 3/1/2015 | | |
| 3 | 25000 | DATAPLATE UPDATED | TonyD | 5/5/2020 | | |

**UNCONTROLLED DOCUMENT
WILL NOT BE UPDATED**
DIMENSIONS IN INCHES - UNLESS OTHERWISE SPECIFIED



RESTRICTED & CONFIDENTIAL
CONFIDENTIAL PROPERTY OF DANIELS MANUFACTURING CORP. NOT TO BE DISCLOSED TO OTHERS. REPRODUCTION OR USED FOR ANY OTHER PURPOSE EXCEPT AS AUTHORIZED IN WRITING BY DANIELS MANUFACTURING. MUST BE RETURNED TO DANIELS MANUFACTURING CORP. ON COMPLETION OF ORDER OR PURPOSES FOR WHICH LENT.
CREATED FROM AN INVENTOR MODEL.
CHANGES MUST BE REFLECTED IN THE 3D PART
DO NOT SCALE DRAWING

| MATERIAL | ITEM | PART NO. | QTY. | DESCRIPTION / REMARKS |
|-------------------|---|------------------------|--|--|
| N/A | DRN. JMC CHK'D. | DATE 7/23/2003 DATE | | DMC DANIELS MANUFACTURING CORP. ORLANDO, FLORIDA CAGE 11851 |
| HEAT TREAT N/A | NOTE: THIS DRAWING IS AN OUTLINE DRAWING OF THE RESPECTIVE DMC PART NUMBER INDICATED. ACTUAL DMC PART NUMBER IS CAD PART NUMBER WITHOUT THE "-ENV" SUFFIX | | TITLE TURRET HEAD (M22520/1-08) ENVELOPE DRAWING | WHERE USED: AF8 |
| FINISH N/A | SIZE B | SCALE 2 : 1 | CAD P/N TH199S-ENV | SHEET 1 OF 1 REV. 3 |
| | | | DWG. NO. TH199S | |