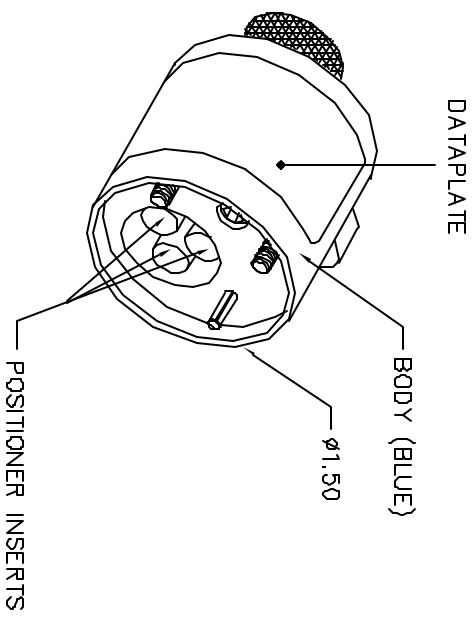


REVISIONS			
REV. SYM.	DESCRIPTION	DT. DATE	APP'D. DATE
1	ORIGINAL RELEASE	9/28/03	9/23/04

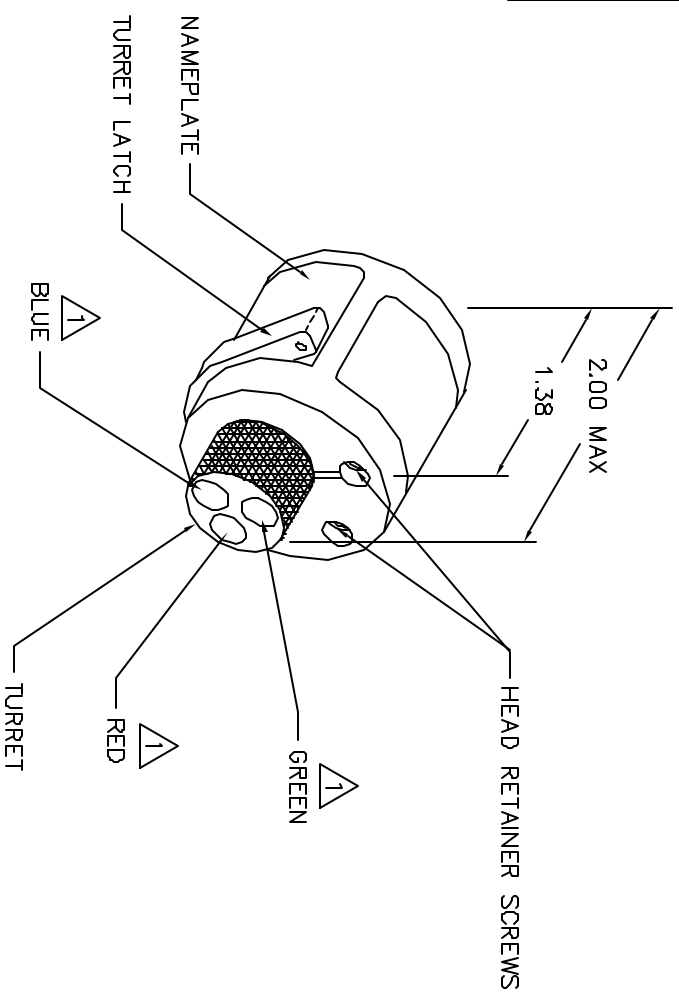
**UNCONTROLLED DOCUMENT
WILL NOT BE UPDATED**

VIRGINIA PANEL	COLOR CODE	22	20	18	16	WIRE SIZE
VP-2340	RED		8			
VP-2250	BLUE	7	8			
VP-2018	GREEN		7	7	7	



POSITIONER COLOR	HOLE DIMENSIONS	ADDITIONAL FEATURES
RED	$\phi .104$ $\pm .84$ MIN.	$\perp \phi .140$ $\pm .190$
BLUE	$\phi .145$ $\pm .300$	
GREEN	$\phi .177$ $\pm .985$	

HOLE AND COUNTERBORE DEPTHS ARE MEASURED FROM TOP OF POSITIONER INSERTS.



△ RANDOM ORDER OF ROTATION IS ACCEPTABLE.

RESTRICTED & CONFIDENTIAL		ITEM	PART NO.	QTY.	DESCRIPTION/REMARKS
DRN	DATE	1	DATE		
CHK'D	DATE	J. DUYCE	9/28/04		
APP'D	DATE	RJR	9/28/04		
APP'D	DATE				

CONFIDENTIAL PROPERTY OF DANIELS MANUFACTURING CORP. NOT TO BE REPRODUCED OR DISCLOSED IN ANY MANNER WITHOUT THE EXPRESS AUTHORIZATION IN WRITING BY DANIELS MANUFACTURING. MUST BE RETURNED TO DANIELS MANUFACTURING CORP. ON COMPLETION OF ORDER OR OTHER PURPOSE FOR WHICH LENT.

DO NOT SCALE DRAWING

NOTE: THIS DRAWING IS AN OUTLINE DRAWING OF THE RESPECTIVE PART NUMBER. THE PART NUMBER INDICATED IN THIS DRAWING IS THE PART NUMBER WITHOUT THE "-ENV" SUFFIX.

WHERE USED: APR

TITLE: ENVELOPE DRAWING
TURRET HEAD

SCALE: 1:1

DATE: 9/23/04

SHEET 1 OF 1