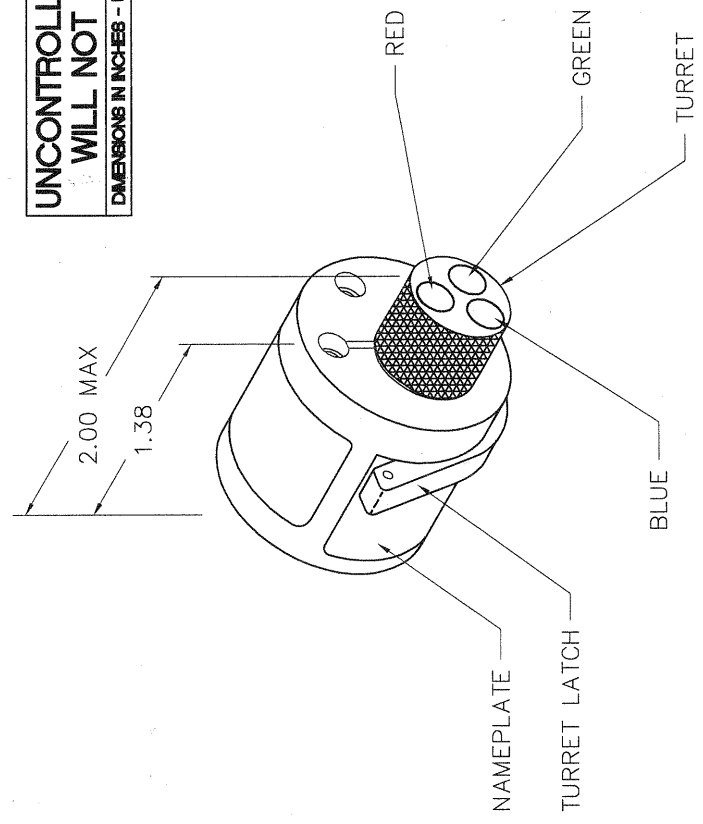


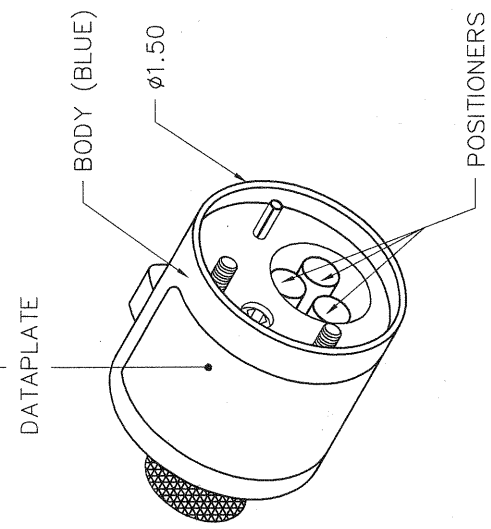
REV. SYM.		F.C.O. NUMBER		DESCRIPTION		BY DATE		APPRO. DATE	
1				ORIGINAL RELEASE		11-22-96			

**UNCONTROLLED DOCUMENT  
WILL NOT BE UPDATED**

**DIMENSIONS IN INCHES - UNLESS OTHERWISE SPECIFIED**



CONTACT	COLOR CODE	WIRE SIZE						SELECTOR NO.
		26	24	22	20	18	16	
MS3190-20	RED	1	2	3	4			
030-1995-000	BLUE				4	5	6	
031-1123-000								
031-1124-000	GREEN							
030-1997-000		1	2	3				
031-1134-000								



POSITIONER COLOR	HOLE DIA.	REMARKS
RED	$\phi .085$	$\nabla .84$ MIN.
BLUE	$\phi .113$	$\nabla .84$ MIN.
	$\perp \phi .156$	$\nabla .060$
GREEN	$\phi .081$	$\nabla .84$ MIN.
	$\perp \phi .098$	$\nabla .060$

**RESTRICTED & CONFIDENTIAL**

CONFIDENTIAL PROPERTY OF DANIELS MANUFACTURING CORP. NOT TO BE DISCLOSED TO OTHERS. REPRODUCED OR USED FOR ANY OTHER PURPOSE, EXCEPT AS AUTHORIZED IN WRITING BY DANIELS MANUFACTURING CORP. THIS DOCUMENT IS ON COMPLETION OF ORDER OR OTHER PURPOSE FOR WHICH LENT.

ITEM	PART NO.	QTY.	DESCRIPTION/REMARKS
DRN. A. 100-YOUNG	DATE 11-22-96		<b>DMC</b> DANIELS MANUFACTURING CORP. ORLANDO, FLORIDA CAGE 11851
CHK'D.	DATE		
APP'D.	DATE		<b>ENVELOPE DRAWING TURRET HEAD</b>
APP'D.	DATE		
NOTE: THIS DRAWING IS AN OUTLINE DRAWING OF THE RESPECTIVE DMC PART NUMBER. IT IS NOT A DIMENSIONED PART NUMBER. DRAWING PART NUMBER WITHOUT THE "-ENV" SUFFIX.			
MATERIAL			WHERE USED: AFB
HEAT TREAT			SCALE: B NTS
FINISH			CAD P/N: TH187-ENV
			P/N: TH187-ENV
			SHEET OF: 1 1
			REV. REV. 1 1