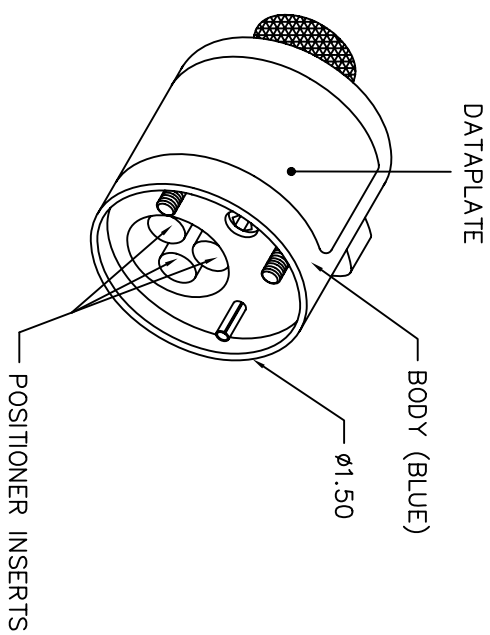


REVISIONS			
REV. STYL.	E.C.O. NUMBER	DESCRIPTION	BY DATE
1		ORIGINAL RELEASE	JMO/05 11/10/05
			RRR/05 11/10/05

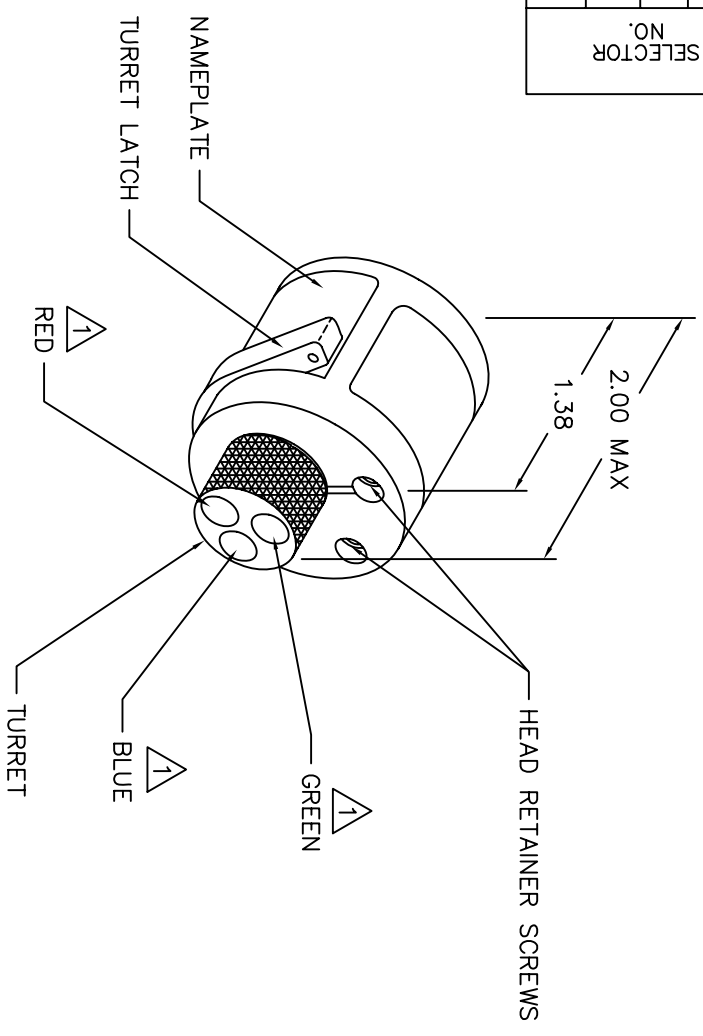
**UNCONTROLLED DOCUMENT
WILL NOT BE UPDATED**

HUGHES CONTACT	COLOR CODE	24	22	20	18	16	RG188/U	RG195/U	WIRE SIZE
UP/US20Y20C000	RED	2	3	4					SELECTOR NO.
UP/US16Y16C000	RED		3	4	5	6			
CP195C000	BLUE							4	
CS195C000	GREEN							4	2



POSITIONER COLOR	HOLE DIMENSIONS	ADDITIONAL FEATURES
RED	Ø.070 ±.84 MIN.	□ Ø.140 ±.406
BLUE	Ø.076 ±.275	
GREEN	Ø.076 ±.355	

HOLE AND COUNTERBORE DEPTHS ARE MEASURED FROM TOP OF POSITIONER INSERTS.



1 RANDOM ORDER OF ROTATION IS ACCEPTABLE.

RESTRICTED & CONFIDENTIAL		CONFIDENTIAL PROPERTY OF DANIELS MANUFACTURING CORP. THIS DRAWING IS AN OUTLINE DRAWING OF THE RESPECTIVE PART NUMBER IS DRAWING NUMBER WITHOUT THE "ENV" SUFFIX.	
DO NOT SCALE DRAWING			
ITEM: J. JOYCE GMR'D: RRR APP'D: [] DATE: 11/16/05 DATE: 11/10/05 DATE: []	PART NO. DATE DATE DATE	QTY. DATE DATE DATE	DESCRIPTION/REMARKS DANIELS MANUFACTURING CORP. ORLANDO, FLORIDA CASE 11851
TITLE: TURRET HEAD ENVELOPE DRAWING WHERE USED: AFB		SIZE: B SCALE: NTS POSTING: []	CAD P/N: TH134-ENV SHEET 1 OF 1 REV 1