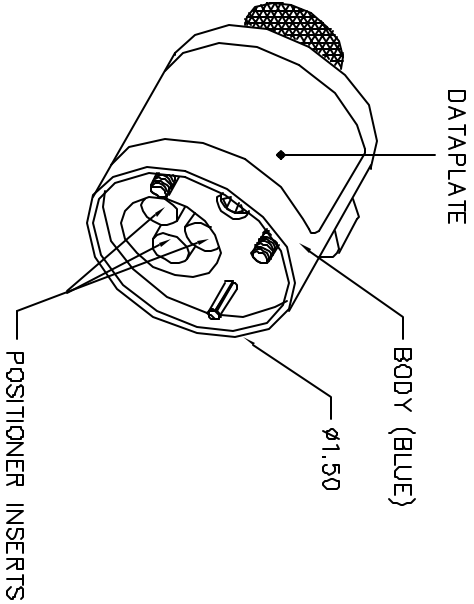


REVISIONS			
REV. NO.	DESCRIPTION	DT. DATE	APP'D. DATE
1	ORIGINAL RELEASE	1-18-05	RRR-05

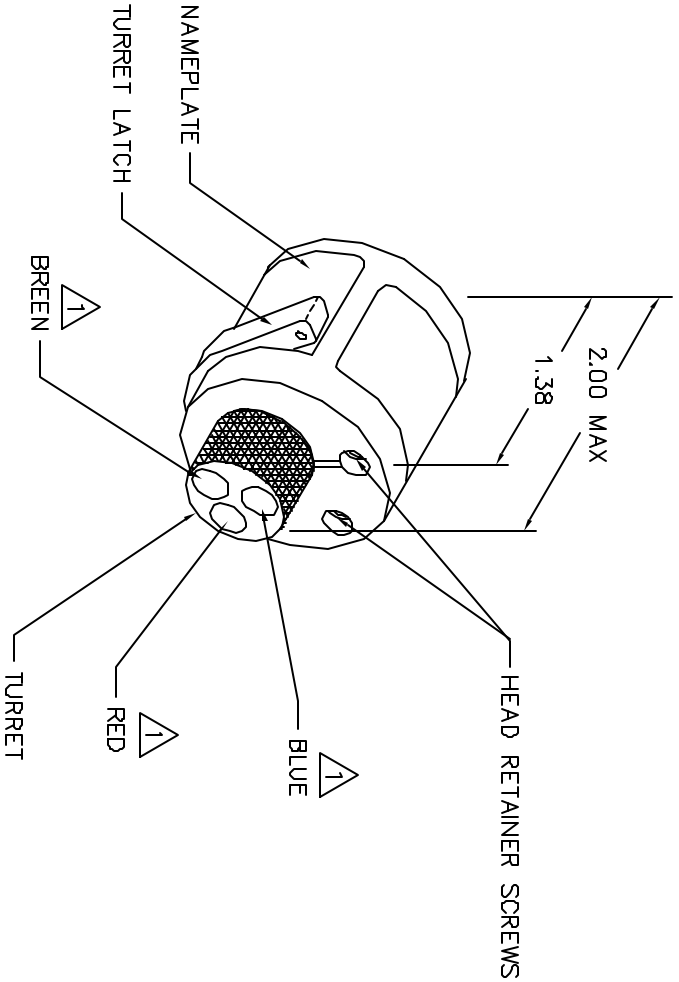
**UNCONTROLLED DOCUMENT  
WILL NOT BE UPDATED**

CANNON CONTACT	COLOR CODE	26	24	22	20	18	16	14	12	WIRE SIZE
S2020, PH-E21	RED	1	2	3	4					SELECTOR NO.
S2020, SH-G21										
1612	BLUE (PIN)							8	8	
1616	GREEN (SOC)				7	8	8			
1622		6	6	7						



POSITIONER COLOR	HOLE DIMENSIONS	ADDITIONAL FEATURES
GREEN	$\phi .094$ $\pm .705$	$\perp \phi .150$ $\pm .205$
RED	$\phi .078$ $\pm .84$ MIN.	
BLUE	$\phi .094$ $\pm .820$	$\perp \phi .150$ $\pm .705$

HOLE AND COUNTERBORE DEPTHS ARE MEASURED FROM TOP OF POSITIONER INSERTS.



$\triangle 1$  RANDOM ORDER OF ROTATION IS ACCEPTABLE.

<b>RESTRICTED &amp; CONFIDENTIAL</b>			
CONFIDENTIAL PROPERTY OF DANIELS MANUFACTURING CORP. NOT TO BE DISCLOSED TO OTHERS, REPRODUCED OR TRANSMITTED IN ANY FORM OR BY ANY MEANS, WITHOUT THE EXPRESS WRITTEN PERMISSION OF DANIELS MANUFACTURING CORP. ON COMPLETION OF ORDER OR OTHER PURPOSE FOR WHICH SENT.			
ITEM NO.	PART NO.	QTY.	DESCRIPTION/REMARKS
DRN 1	J. JOYCE	1	DANIELS MANUFACTURING CORP. ORLANDO, FLORIDA GAGE 11851
CHK'D: RRR	DATE: 1/18/05		
APP'D:	DATE:		
NOTE: THIS DRAWING IS AN OUTLINE DRAWING OF THE RESPECTIVE PART NUMBER IS DRAWING NUMBER WITHOUT THE "-ENV" SUFFIX		WHERE USED: APR	
SIZE: B	SCALE: NTS	TDAD P/N: TH120-ENV	SHEET 1 OF 1
POSTING:		DWG. NO.: TH120-ENV	REV. 1