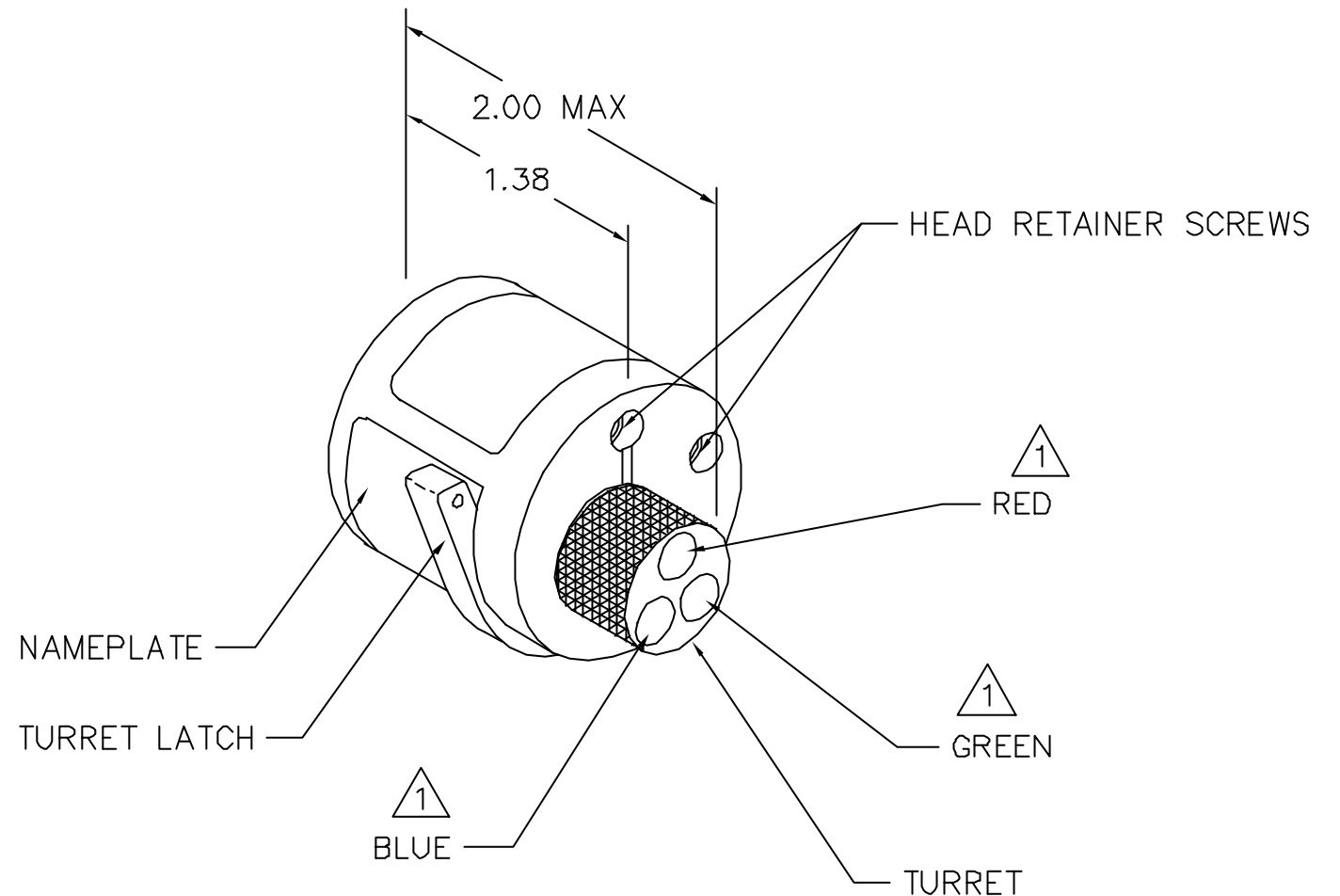
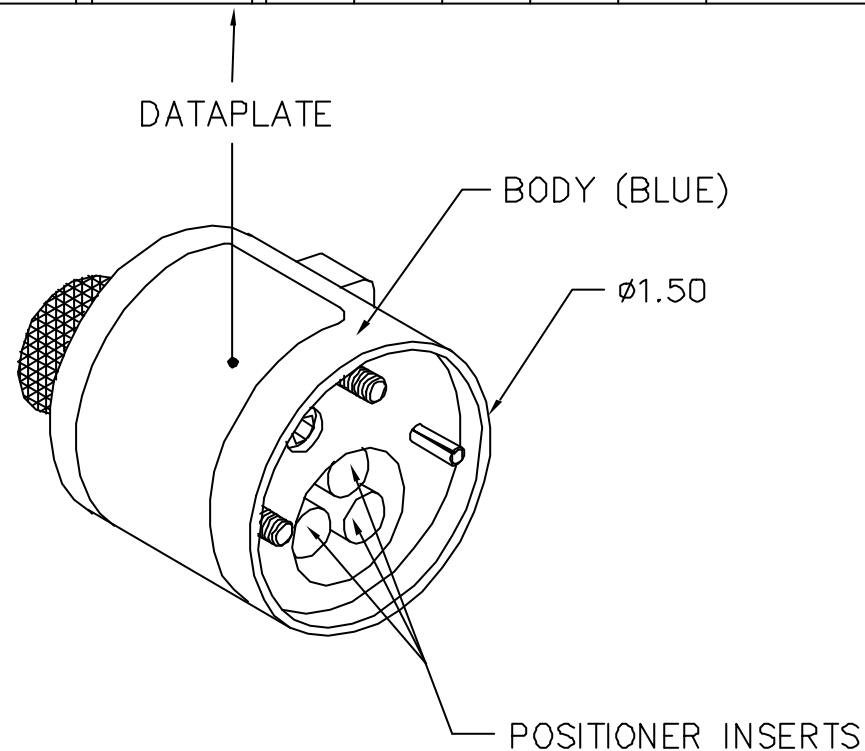


REVISIONS				
REV. SYM.	E.C.O. NUMBER	DESCRIPTION	BY DATE	APP'D DATE
2		.425 WAS .910. ADDED .875 & .070.	AAM 12-13-00	RRR 12-13-00

**UNCONTROLLED DOCUMENT
WILL NOT BE UPDATED**


CANNON CONTACTS	COLOR CODE	20	18	16	14	12	WIRE SIZE
031-0661-005 031-0661-003 031-0731-000 030-1133-000	RED	4	5	6			SELECTOR NO.
030-1082-000	BLUE	4	5	6			
031-0706-000	GREEN	4	5	6			
030-1134-000					8	8	
031-0732-000							



1 RANDOM ORDER OF ROTATION IS ACCEPTABLE.

POSITIONER COLOR	HOLE DIMENSIONS	ADDITIONAL FEATURES
RED	Ø.094 ↓.684	□ Ø.177 ↓.663
BLUE	Ø.070 ↓.875	□ Ø.177 ↓.425
GREEN	Ø.221 ↓1.015	

HOLE AND COUNTERBORE DEPTHS ARE MEASURED FROM TOP OF POSITIONER INSERTS.

RESTRICTED & CONFIDENTIAL CONFIDENTIAL PROPERTY OF DANIELS MANUFACTURING CORP. NOT TO BE DISCLOSED TO OTHERS, REPRODUCED OR USED FOR ANY OTHER PURPOSE, EXCEPT AS AUTHORIZED IN WRITING BY DANIELS MANUFACTURING. MUST BE RETURNED TO DANIELS MANUFACTURING CORP. ON COMPLETION OF ORDER OR OTHER PURPOSE FOR WHICH LENT.	ITEM	PART NO.	QTY.	DESCRIPTION/REMARKS
	DRN.	M SCRUGGS	DATE 7-7-87	 DANIELS MANUFACTURING CORP. ORLANDO, FLORIDA CAGE 11851
	CHK'D.	AAM	DATE 7-7-87	
	APP'D.	WP	DATE 7-7-87	
APP'D.		DATE		
NOTE: THIS DRAWING IS AN OUTLINE DRAWING OF THE RESPECTIVE DMC PART NUMBER INDICATED. ACTUAL DMC PART NUMBER IS DRAWING NUMBER WITHOUT THE "-ENV" SUFFIX.				TITLE ENVELOPE DRAWING TURRET HEAD
WHERE USED: AF8				SIZE B SCALE NTS CAD P/N TH118-ENV SHEET OF 1 1
DO NOT SCALE DRAWING				DWG. NO. TH118-ENV REV. 2