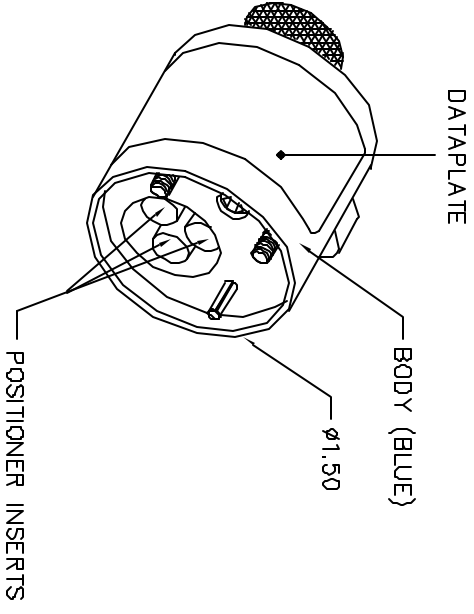


REVISIONS			
REV. NO.	DESCRIPTION	DATE	APP'D
1	ORIGINAL RELEASE	3/8/03	3/8/03

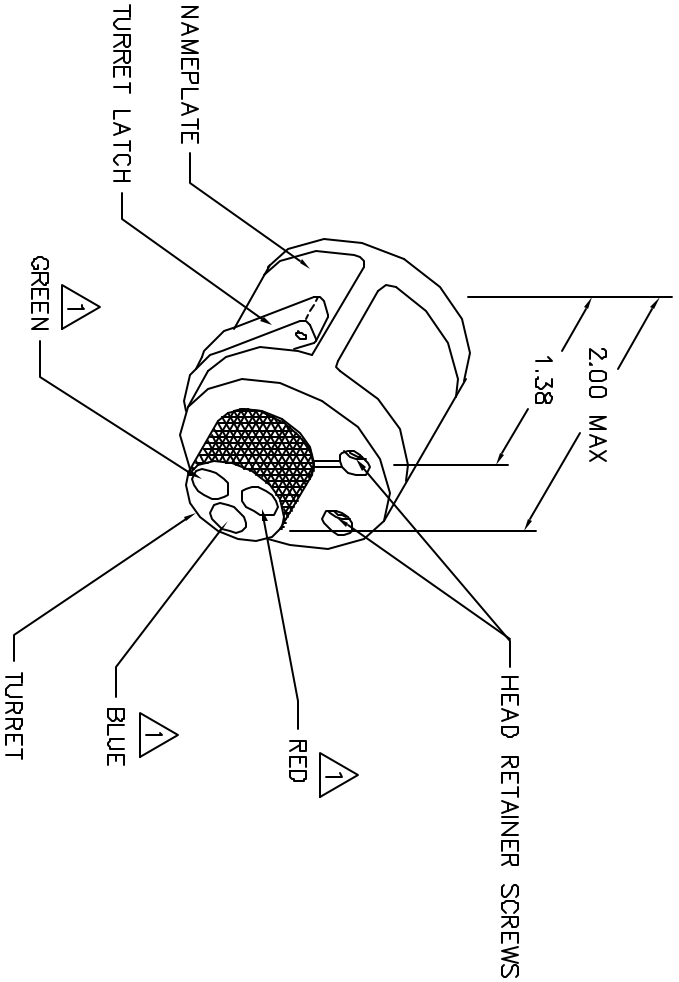
**UNCONTROLLED DOCUMENT  
WILL NOT BE UPDATED**

CONTACT	COLOR CODE	24	22	20	18	16	WIRE SIZE
BENDIX #20	RED	4	5	6			
BENDIX #16	BLUE			6	7	7	
NATIONAL #3-113	GREEN	7	8	8			




POSITIONER COLOR	HOLE DIMENSIONS	ADDITIONAL FEATURES
GREEN	Ø.128 ±.084	.052 WD SLOT ±.082
BLUE	Ø.141 ±.0714	
RED	Ø.110 ±.0755	

HOLE AND COUNTERBORE DEPTHS ARE MEASURED FROM TOP OF POSITIONER INSERTS.



▲ 1 RANDOM ORDER OF ROTATION IS ACCEPTABLE.

<b>RESTRICTED &amp; CONFIDENTIAL</b>			
CONFIDENTIAL PROPERTY OF DANIELS MANUFACTURING CORP. NOT TO BE DISCLOSED TO OTHERS, REPRODUCED OR USED FOR ANY OTHER PURPOSE, EXCEPT AS AUTHORIZED IN WRITING. MUST BE RETURNED TO DANIELS MANUFACTURING CORP. ON COMPLETION OF ORDER OR OTHER PURPOSE FOR WHICH SENT.			
ITEM	PART NO.	QTY.	DESCRIPTION/REMARKS
DRN 1	JUDGE	DATE 3/24/03	
CHK'D: RRR	DATE 3/23/03		
APP'D:	DATE		
NOTE: THIS DRAWING IS AN OUTLINE DRAWING OF THE RESPECTIVE UNCONTROLLED DRAWING. PART NUMBER IS DRAWING NUMBER WITHOUT THE "-ENV" SUFFIX.			
WHERE USED: AFB		SCALE: 1:1	SHEET 1 OF 1
SIZE: B		THRU: TH10-ENV	REV: 1
PARTING		DMG. NO. TH10-ENV	
 <b>DANIELS MANUFACTURING CORP.</b> ORLANDO, FLORIDA GAGE 11851			
<b>ENVELOPE DRAWING</b> <b>TURRET HEAD</b>			
DO NOT SCALE DRAWING			