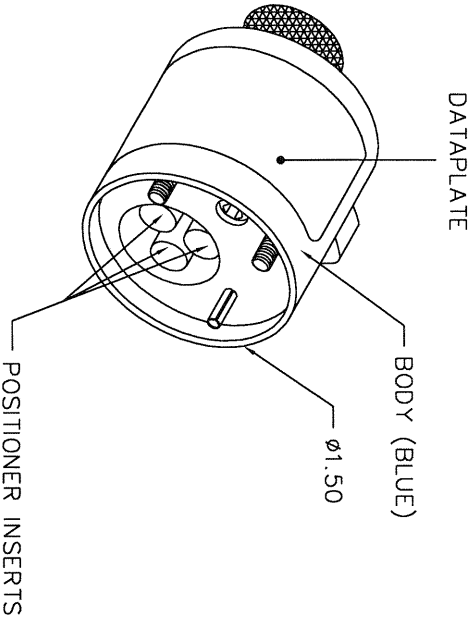


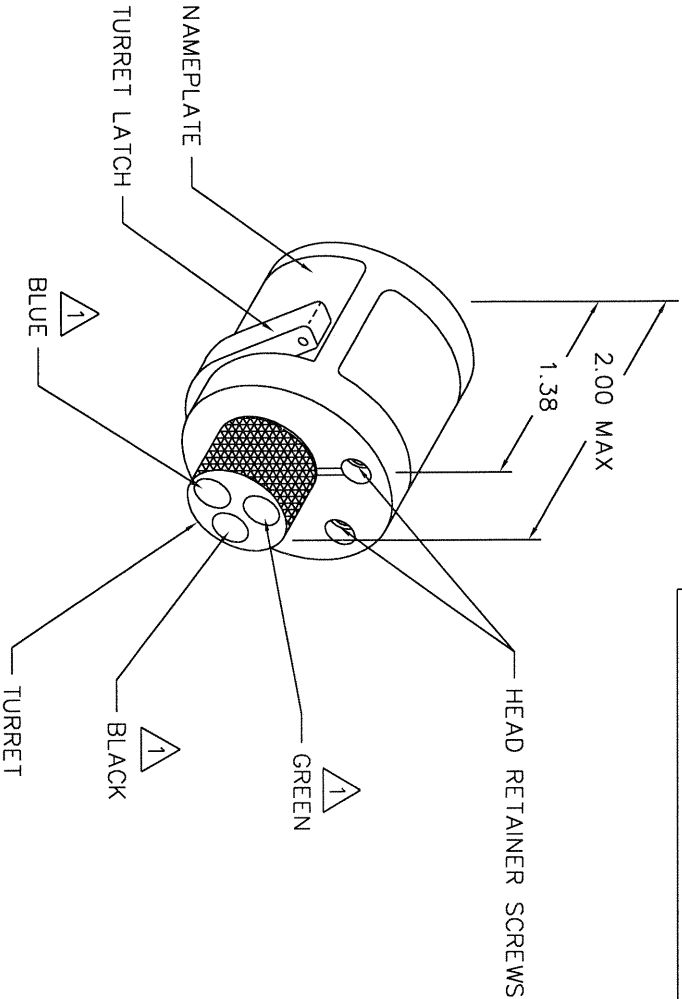
REVISIONS			
REV. NUMBER	E.C.O. NUMBER	DESCRIPTION	BY DATE
1		ORIGINAL RELEASE	12-04-07

**UNCONTROLLED DOCUMENT  
WILL NOT BE UPDATED**

CONTACT	COLOR CODE	28	26	24	22	20	18	16	WIRE SIZE
WINCHESTER 1016-18	BLUE			2	4	5	6	7	
MARC 1022	BLUE			4	5	5			
ARMEL 1024		4	5	5					
ARMEL 0S12814-16	BLACK			4	5	5		5	6
ARMEL 0S12814-22	BLACK			4	5	5		5	6
MALCO 0S12814-16	GREEN			6	7	7		6	7
MALCO 0S12814-22	GREEN			6	7	7		6	7



POSITIONER COLOR	HOLE DIMENSIONS	ADDITIONAL FEATURES
BLUE	Ø 1.06 ±.492	└┐ Ø.136 ±.181
BLACK	Ø 0.93 ±.589	└┐ Ø.200 ±.329
GREEN	Ø 0.89 ± THRU	└┐ Ø.129 ±.070



▲ RANDOM ORDER OF ROTATION IS ACCEPTABLE.

**RESTRICTED & CONFIDENTIAL**  
 CONFIDENTIAL PROPERTY OF DANIEL'S MANUFACTURING CORP. NOT TO BE DISCLOSED TO OTHERS. REPRODUCED OR USED FOR ANY OTHER PURPOSE, EXCEPT AS AUTHORIZED IN WRITING BY DANIEL'S MANUFACTURING. MUST BE RETURNED TO DANIEL'S MANUFACTURING CORP. ON COMPLETION OF ORDER WHICH ENTITLED TO THIS DRAWING.

ITEM	PART NO.	QTY.	DESCRIPTION/REMARKS
1			ENVELOPE DRAWING TURRET HEAD

DATE	DATE	DATE	DATE
12/04/07			

NOTE: THIS DRAWING IS AN OUTLINE DRAWING OF THE RESPECTIVE INDICATED ACTUAL DIM PART NUMBER IS DRAWING NUMBER WITHOUT THE "-ENV SUFFIX"

SIZE	SCALE	CAD P/N	SHEET
B	N	TH102-ENV	1

POSTING	DWG NO.	REV.
	TH102-ENV	1

\* HOLE AND COUNTERBORE DEPTHS ARE MEASURED FROM TOP OF POSITIONER INSERTS.