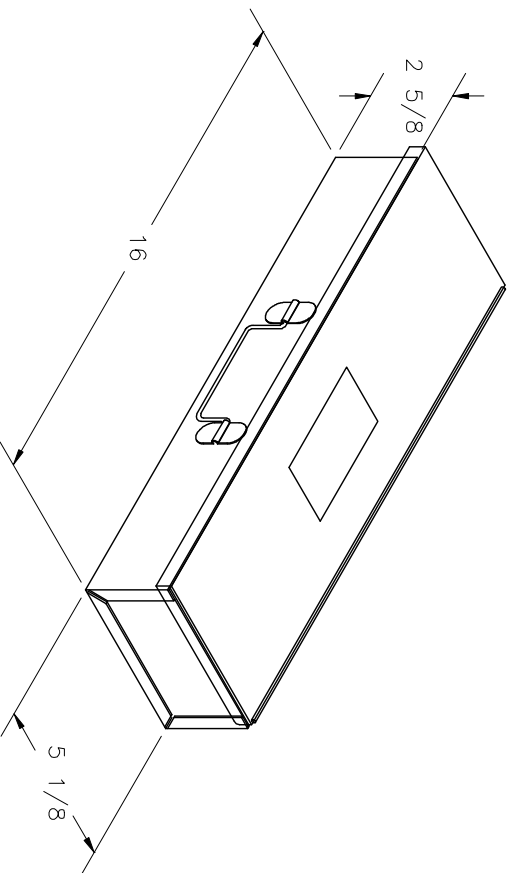
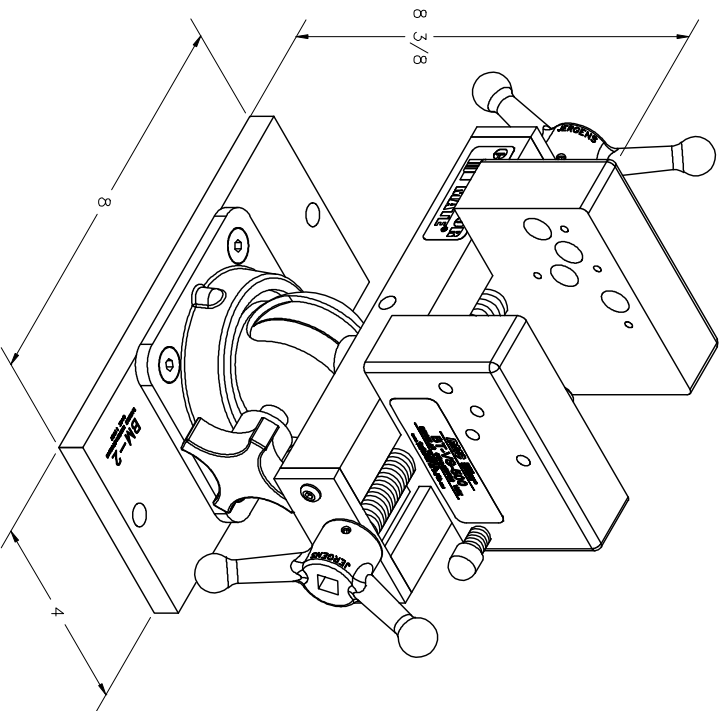


REVISIONS				
REV. SYM.	E.O.D. NUMBER	DESCRIPTION	BY DTM	APPD DATE
1		ORIGINAL RELEASE	DTM 3/23/99	JML 3/23/99
2		BM-2 WAS BM-3	TD 2/2/09	



**UNCONTROLLED DOCUMENT
WILL NOT BE UPDATED**

RESTRICTED & CONFIDENTIAL
 CONFIDENTIAL PROPERTY OF DANIELS MANUFACTURING CORP. NOT TO BE DISCLOSED OR USED FOR ANY OTHER PURPOSE EXCEPT AS AUTHORIZED IN WRITING BY DANIELS MANUFACTURING. MUST BE RETURNED TO DANIELS MANUFACTURING CORP. ON COMPLETION OF ORDER OR PURCHASE FOR WHICH INT.

DO NOT SCALE DRAWING

MATERIAL		ITEM		PART NO.		QTY.		DESCRIPTION/REMARKS	
HEAT TREAT		DEN.	DTM	DATE	3/23/99	CHK'D.	JWJ	DATE	3/23/99
FINISH		APP'D.		DATE		APP'D.		DATE	
NOTE: THIS DRAWING IS AN OUTLINE DRAWING OF THE RESPECTIVE INDICATED. ACTUAL DIM PART NUMBER AND DRAWING THE "-ENV" SUFFIX.									
WHERE USED:		SCALE		SHEET		CAD P/N		REV	
B		1/4		1		BT-VS-511-ENV		1	
POSTING						BT-VS-511-ENV		2	



DANIELS MANUFACTURING CORP.
ORLANDO, FLORIDA
CAGE 11851

WISE W/JAW SET