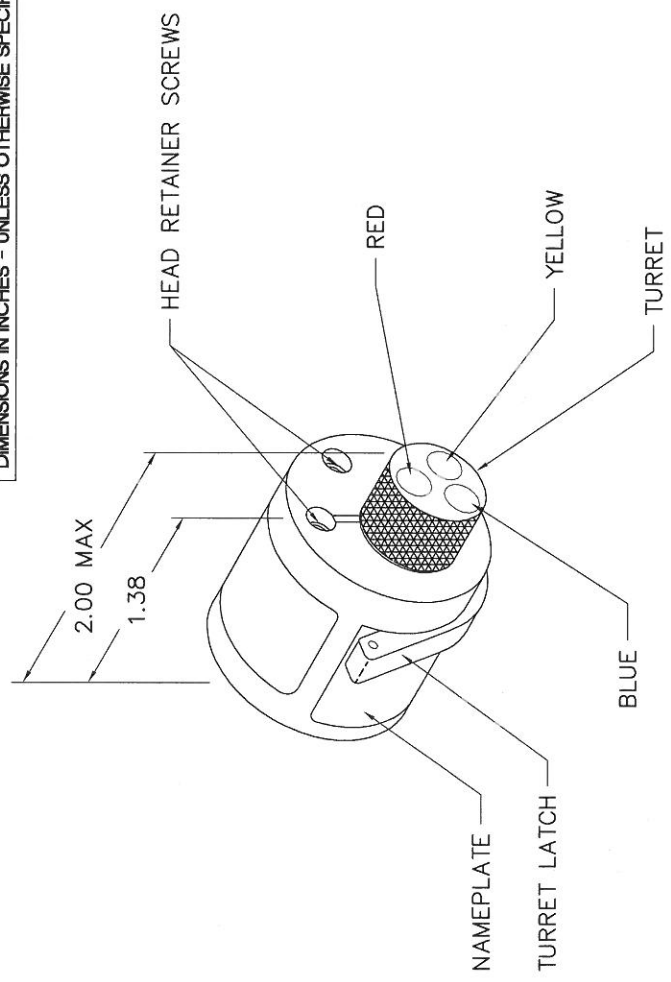


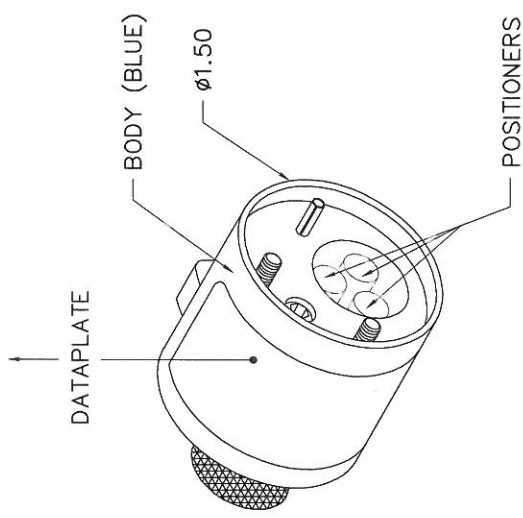
REV. SYM.		E.O. NUMBER		DESCRIPTION		BY DATE		APPROVED DATE	
1				ORIGINAL RELEASE			10-25-99	RRR	10-25-99

**UNCONTROLLED DOCUMENT
WILL NOT BE UPDATED**

DIMENSIONS IN INCHES - UNLESS OTHERWISE SPECIFIED



CLAMPING RING part number	COLOR CODE	CABLE DIA. RANGE	SEL. NO.
MIL-C-22442/32-1 or equivalent	BLUE	.110-.135	1
	YELLOW	.140-.165	2
	RED	.170-.195	3



POSITIONER COLOR	* HOLE DIMENSIONS	ADDITIONAL FEATURES
BLUE	$\phi .140$ $\nabla .980$ MIN.	
YELLOW	$\phi .170$ $\nabla .980$ MIN.	
RED	$\phi .200$ $\nabla .980$ MIN.	

* HOLE DEPTH DIMENSIONS ARE TAKEN FROM THE TOP OF THE POSITIONER INSERTS.

RESTRICTED & CONFIDENTIAL

CONFIDENTIAL PROPERTY OF DANIELS MANUFACTURING CORP. NOT TO BE DISCLOSED TO OTHERS, REPRODUCED OR USED FOR ANY OTHER PURPOSE, EXCEPT AS AUTHORIZED IN WRITING BY DANIELS MANUFACTURING CORP. THIS DRAWING IS THE PROPERTY OF DANIELS MANUFACTURING CORP. ON COMPLETION OF ORDER OR OTHER PURPOSE FOR WHICH LENT.

ITEM	PART NO.	QTY.	DESCRIPTION/REMARKS
DRN. A.	M00-YOUNG		DANIELS MANUFACTURING CORP. ORLANDO, FLORIDA CAGE 11851
CHK'D.	RRR		
APP'D.			
DATE	10-25-99		
DATE	10-25-99		
DATE			
DATE			
NOTE: THIS DRAWING IS AN OUTLINE DRAWING OF A RESPECTIVE DMC PART NUMBER INDICATED. ACTUAL DMC PART NUMBER IS DRAWING NUMBER WITH-OUT THE "-ENV" SUFFIX.			
SCALE	NONE	CAD P/N	SH556-ENV
POSTING		DWG. NO.	SH556-ENV
SHEET	1	OF	1
REV.	1	REV.	1

DO NOT SCALE DRAWING