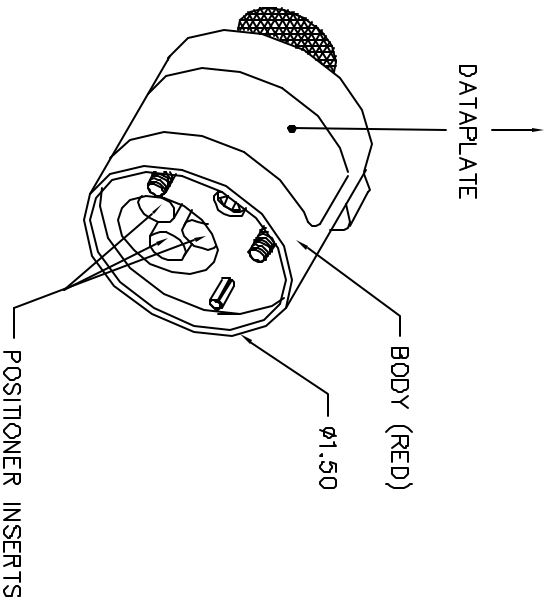


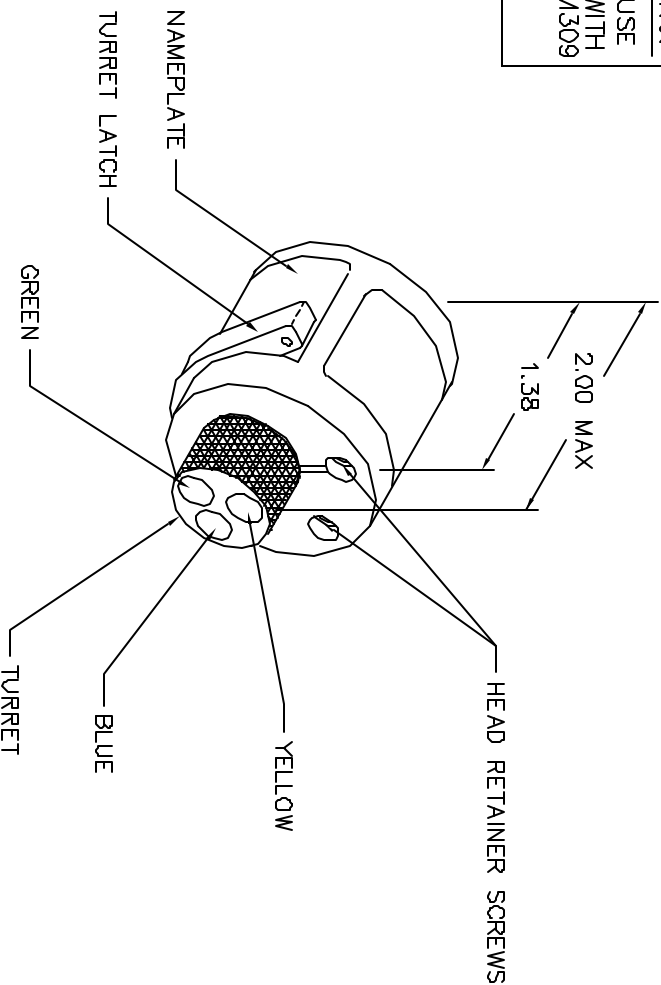
REVISIONS				
REV. NUMBER	EQD. NUMBER	DESCRIPTION	BY DATE	APP'D DATE
2		REDESIGNED FOR ICP CONTACTS	12-2-99	12-2-99

ICP CONTACTS	COLOR	10	12	14	16	18	20	WIRE
SXC-88 & PXC-89	BLUE				4		2	
SXC-114 & PXC-115	YELLOW						1	
SXC-90 & PXC-91			6	5				
SXC-81 & PXC-82				6	5			
SXC-85 & PXC-86	GREEN				4		3	
SXC-139 & PXC-140			8				2	USE WITH M309



POSITIONER COLOR	HOLE DIMS.*	ADDITIONAL FEATURES
BLUE	$\phi .067$ $\nabla .740$	$\sqcup \phi .161$ $\nabla .595$
YELLOW	$\phi .067$ $\nabla .740$	$\sqcup \phi .169$ $\nabla .595$
GREEN	$\phi .125$ $\nabla .522$	$\sqcup \phi .191$ $\nabla .365$

\*HOLE DEPTHS ARE MEASURED FROM TOP OF POSITIONER INSERTS.



**UNCONTROLLED DOCUMENT  
WILL NOT BE UPDATED**

RESTRICTED & CONFIDENTIAL  
 PROPRIETARY PROPERTY OF DANIELS MANUFACTURING CORP. NOT TO BE REPRODUCED OR USED FOR ANY OTHER PURPOSE EXCEPT AS AUTHORIZED IN WRITING BY DANIELS MANUFACTURING. MUST BE RETURNED TO DANIELS MANUFACTURING CORP. ON COMPLETION OF ORDER OR OTHER PURPOSE FOR WHICH MADE.

ITEM	PART NO.	QTY.	DESCRIPTION/REMARKS
DRN	DATE		
CHK'D	DATE		
APPR'D	DATE		
APPR'D	DATE		

NOTE: THIS DRAWING IS AN OUTLINE DRAWING OF THE RESPECTIVE DIM PART NUMBER. INDICATED ACTUAL DIM PART NUMBER WITHOUT THE "ENV" SUFFIX.

WHERE USED: M309

TITLE: ENVELOPE DRAWING  
TURRET HEAD

DATE: 12-15-97  
DATE: 2-16-97

SIZE: B  
SCALE: NTS  
DWG. NO.: SH480-ENV  
SHEET 1 OF 1  
REV. 2

DO NOT SCALE DRAWING