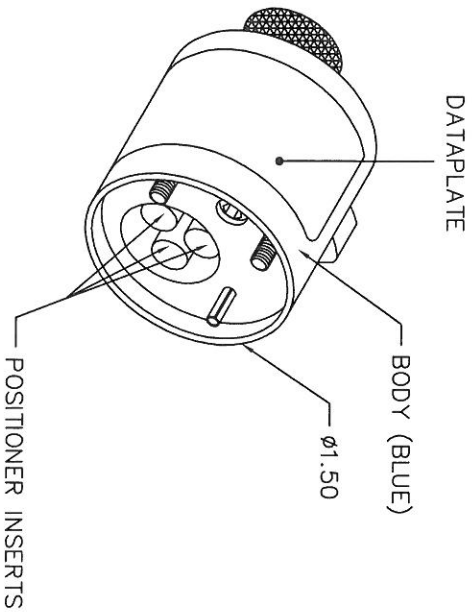
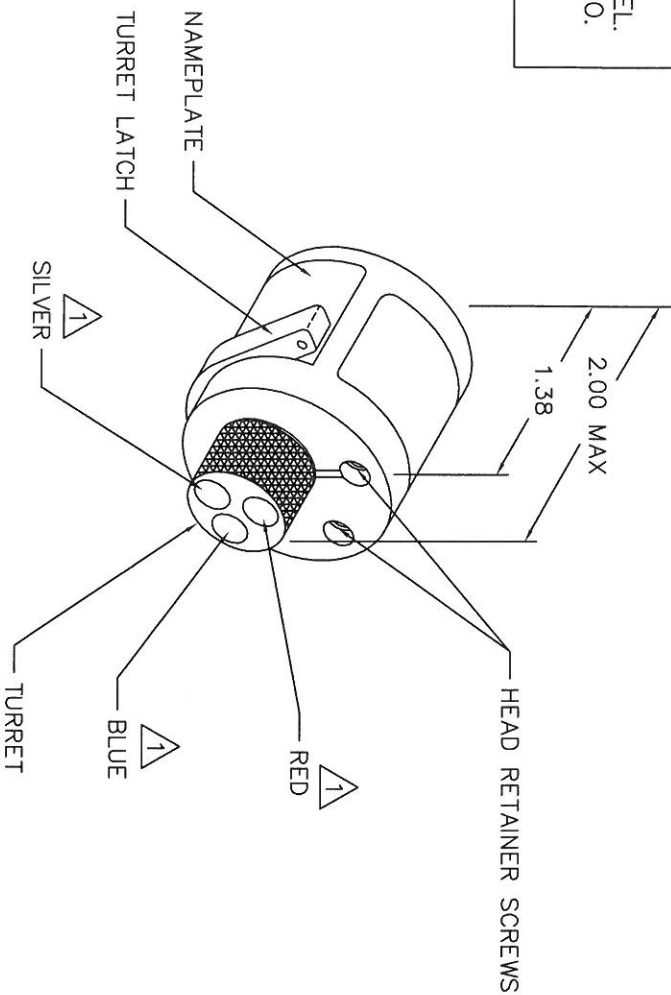


REVISIONS				
REV. SYM.	E.C.O. NUMBER	DESCRIPTION	BY DATE	APP'D DATE
1		ORIGINAL RELEASE	AMM 01 12-9-01	RRR 01 12-9-01

AMPHENOL SOCAPEX	COLOR CODE	22	20	18	16	14	WIRE SIZE
30526 (Male)	RED	3	4	5	6	7	
30521 (Femelle)	RED						
30517 (Male)	BLUE				6	7	SEL. NO.
30519 (Femelle)	BLUE						



POSITIONER COLOR	HOLE DIMENSIONS	ADDITIONAL FEATURES
BLUE	Ø.109 ±.569	□ Ø.221 ±.219
RED	Ø.140 ±.84 MIN.	□ Ø.156 ±.104
SILVER		



△ 1 RANDOM ORDER OF ROTATION IS ACCEPTABLE.

\* HOLE AND COUNTERBORE DEPTHS ARE MEASURED FROM TOP OF POSITIONER INSERTS.

RESTRICTED & CONFIDENTIAL		CONFIDENTIAL PROPERTY OF DANIELS MANUFACTURING CORP. NOT TO BE DISCLOSED TO OTHERS, REPRODUCED OR COPIED IN ANY MANNER WITHOUT THE WRITTEN PERMISSION OF DANIELS MANUFACTURING CORP. ON COMPLETION OF ORDER OR OTHER PURPOSE FOR WHICH INT.	
ITEM	PART NO.	QTY.	DESCRIPTION/REMARKS
DRN. A. MOO-YOUNG	12-6-01		DANIELS MANUFACTURING CORP. DANLAWO, FLORIDA CAGE 71851
CHK'D. RRR	12-6-01		
APP'D.	DATE		
NOTE:	THIS DRAWING IS AN OUTLINE DRAWING OF THE RESPECTIVE DMC PART NUMBER INDICATED. ACTUAL DMC PART NUMBER IS DRAWING NUMBER AS SHOWN ON THE "ENV" SUFFIX.		
DO NOT SCALE DRAWING	WHERE USED: FTB		TITLE: ENVELOPE DRAWING TURRET HEAD
	SCALE: B NTS	CAD P/N: SH463-1-ENV	SHEET 1 OF 1
	POSTING	DMG. NO. SH463-1-ENV	REV. 1