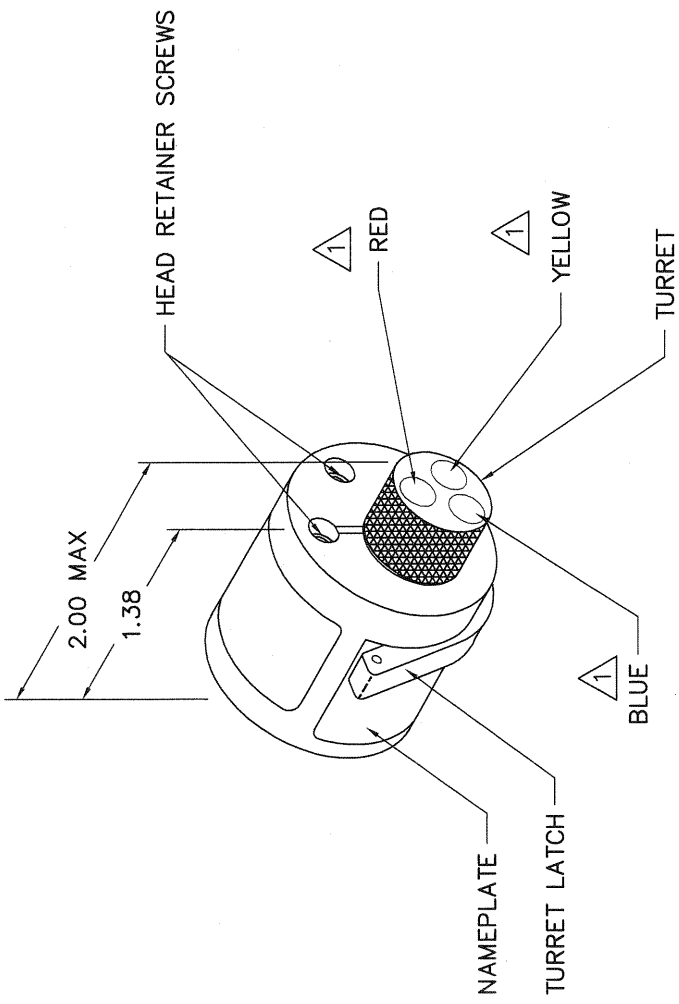


REVISIONS

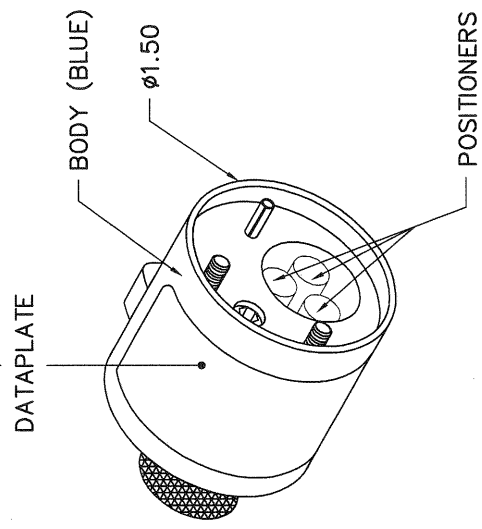
REV. SYM.	E.C.O. NUMBER	DESCRIPTION	BY DATE	APP'D DATE
1		ORIGINAL RELEASE	9-10-99	RRR 9-10-99

**UNCONTROLLED DOCUMENT  
WILL NOT BE UPDATED**  
DIMENSIONS IN INCHES - UNLESS OTHERWISE SPECIFIED



▲1 RANDOM ORDER OF ROTATION IS ACCEPTABLE.

CONTACTS SOURIAU	COLOR CODE	mm2						WIRE SIZE	SEL. NO.
		0.38	0.6	1	1.5	2.5	4		
8380-515 8380-510	RED	3	4	5	6				
8380-127 8380-131A 8380-196 8380-198A	BLUE			6					
8380-296 8380-298A				5	7				
8380-203 8380-205A 8380-111 8380-115A	YELLOW			5	7		8		



POSITIONER COLOR	HOLE DIMENSIONS	ADDITIONAL FEATURES
BLUE	ø.161 ↕.845 MIN.	LJ ø.189 ↕.090
YELLOW	ø.201 ↕.845 MIN.	LJ ø.228 ↕.090
RED	ø.125 ↕.845 MIN.	LJ ø.156 ↕.055

**RESTRICTED & CONFIDENTIAL**  
CONFIDENTIAL PROPERTY OF DANIELS MANUFACTURING CORP. NOT TO BE DISCLOSED TO OTHERS, REPRODUCED OR USED FOR ANY OTHER PURPOSE, EXCEPT AS AUTHORIZED IN WRITING BY DANIELS MANUFACTURING CORP. THIS DRAWING IS AN OUTLINE DRAWING OF THE RESPECTIVE PART NUMBER INDICATED. PART NUMBER IS DRAWING NUMBER WITHOUT THE "-ENV" SUFFIX.

ITEM	PART NO.	QTY.	DESCRIPTION/REMARKS
DRW. A. MDO-YOUNG	DATE 9-16-99		DANIELS MANUFACTURING CORP. ORLANDO, FLORIDA CAGE 11851
CHK'D. RRR	DATE 9-16-99		
APP'D. RRR	DATE		
APP'D. RRR	DATE		
TITLE			ENVELOPE DRAWING
WHERE USED: FTB			TURRET HEAD
SIZE			SCALE
B NONE			SH450-ENV
POSTING			P/N SH450-ENV
REV. 1			REV. 1