

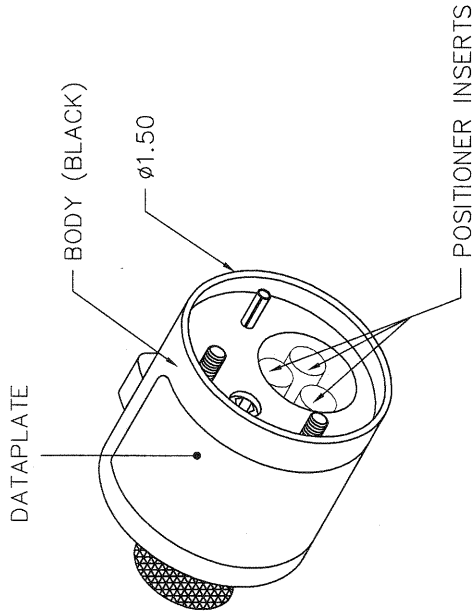
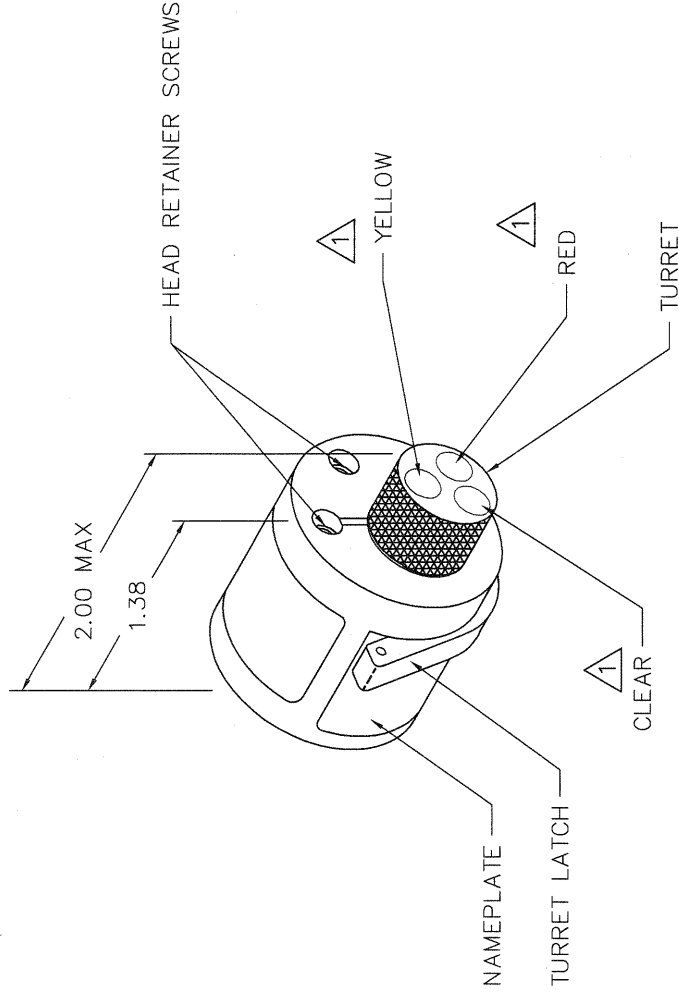
REVISIONS

REV. SYM.	E.C.O. NUMBER	DESCRIPTION	BY DATE	APP'D DATE
2		ADDED "UTILISEZ AVEC M300BT"	AAM 6-7-00	RRR 6-7-00

**UNCONTROLLED DOCUMENT
WILL NOT BE UPDATED**

DIMENSIONS IN INCHES - UNLESS OTHERWISE SPECIFIED

SOURIAU CONTACT	COULEUR	3.18	5.30	8.98
2,5	JAUNE	1	1	
3,5	ROUGE			5
UTILISEZ AVEC M300BT				



POSITIONER COLOR	HOLE DIMENSIONS	ADDITIONAL FEATURES
RED	ϕ .213 ∇ .845 MIN.	\perp ϕ .236 ∇ .118
YELLOW	ϕ .165 ∇ .845 MIN.	\perp ϕ .189 ∇ .079

HOLE AND COUNTERBORE DEPTHS ARE MEASURED FROM TOP OF POSITIONER INSERTS.

1 RANDOM ORDER OF ROTATION IS ACCEPTABLE.

RESTRICTED & CONFIDENTIAL
CONFIDENTIAL PROPERTY OF DANIELS MANUFACTURING CORP. NOT TO BE DISCLOSED TO OTHERS. REPRODUCED OR USED FOR ANY OTHER PURPOSE EXCEPT AS AUTHORIZED IN WRITING BY DANIELS MANUFACTURING. MUST BE RETURNED TO DANIELS MANUFACTURING CORP. ON COMPLETION OF ORDER WHICH LENT.

ITEM	PART NO.	QTY.	DESCRIPTION/REMARKS
DRN. A. MOO-YOUNG	DATE 6-2-00		DANIELS MANUFACTURING CORP. ORLANDO, FLORIDA CAGE 11851
CHK'D. RRR	DATE 6-2-00		
APP'D. [Signature]	DATE		
APP'D. [Signature]	DATE		

NOTE:
THIS DRAWING IS AN OUTLINE DRAWING OF THE RESPECTIVE DMC PART NUMBER INDICATED. ACTUAL DMC PART NUMBER IS DRAWING NUMBER WITH SUFFIX THE "-ENV" SUFFIX.

WHERE USED: M300BT	SCALE	SHEET OF
B NTS	1	1
POSTING	SH388-ENV	REV. 2
	DWG. NO. SH388-ENV	

DO NOT SCALE DRAWING