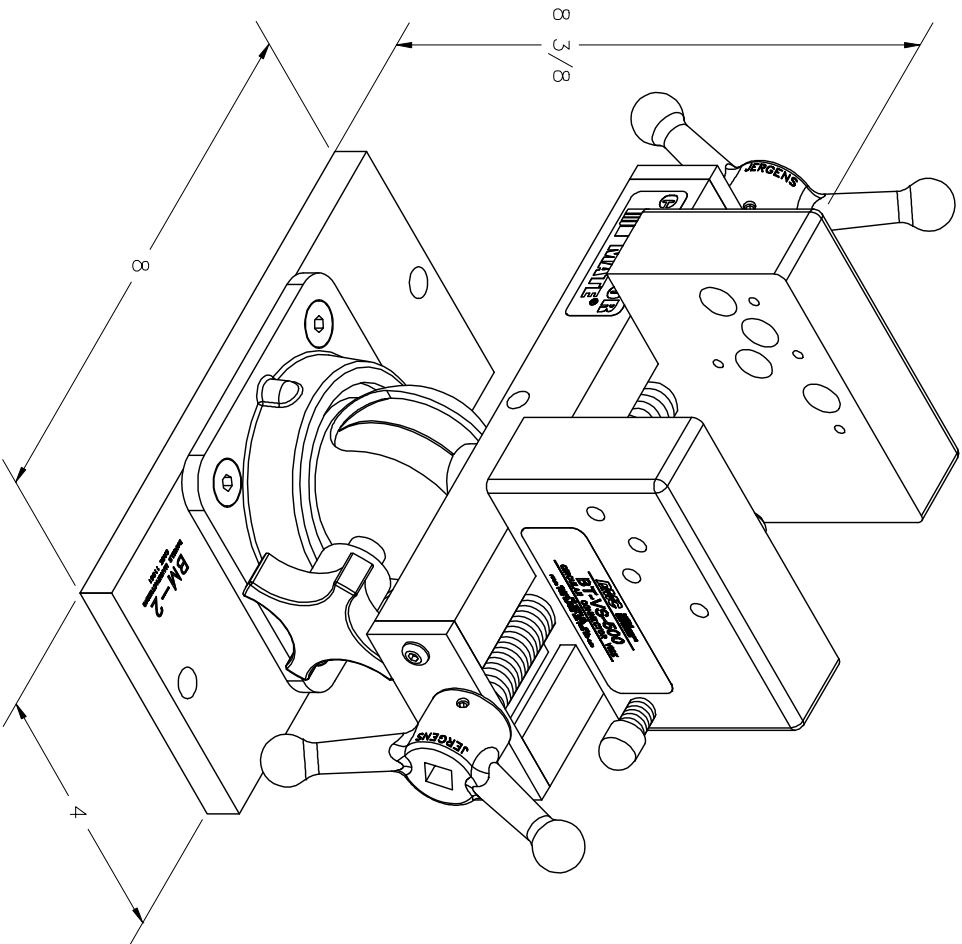



REVISIONS				
REV. SYM.	E.O.D. NUMBER	DESCRIPTION	BY DTM	APP'D DATE
1		ORIGINAL RELEASE	3/23/99	3/23/99
2		BM-2 WAS BM-3	2/2/09	



UNCONTROLLED DOCUMENT  
WILL NOT BE UPDATED

RESTRICTED & CONFIDENTIAL		MATERIAL		ITEM		PART NO.		QTY.		DESCRIPTION/REMARKS	
CONFIDENTIAL PROPERTY OF DANIELS MANUFACTURING CORP. NOT TO BE REPRODUCED OR USED FOR ANY OTHER PURPOSE, EXCEPT AS AUTHORIZED IN WRITING, BY DANIELS MANUFACTURING. MUST BE RETURNED TO DANIELS MANUFACTURING CORP. ON COMPLETION OF ORDER WHICH LENT.		HEAT TREAT		DRN.	DTM	DATE	3/23/99	 DANIELS MANUFACTURING CORP. ORLANDO, FLORIDA CAGE 11851		CAD P/N BT-VS-500-ENV SHEET 1 OF 1 REV 2	
		FINISH		CHK'D.	JWJ	DATE	3/23/99				
DO NOT SCALE DRAWING				APP'D.		DATE		NOTE: THIS DRAWING IS AN OUTLINE DRAWING OF THE RESPECTIVE DIMC PART NUMBER INDICATED. ACTUAL DIMC PART NUMBER WITHOUT THE "-ENV" SUFFIX.		WHERE USED: B SIZE NTS SCALE POSTING	
				APP'D.		DATE		TITLE VISE ENVELOPE DRAWING			