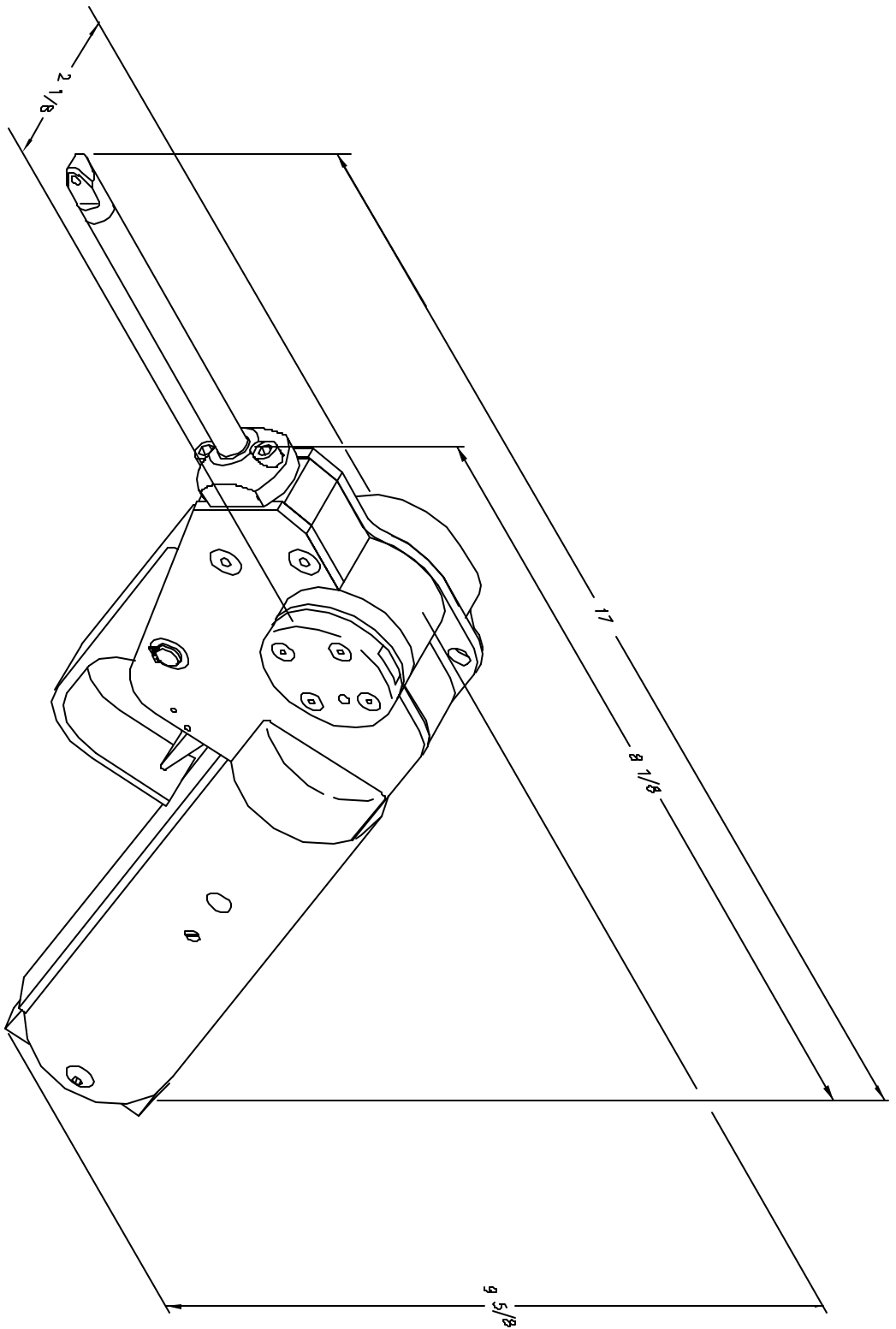


REV	DATE	DESCRIPTION	BY	APP'D
1		ORIGINAL RELEASE		



UNCONTROLLED DOCUMENT
WILL NOT BE UPDATED

RESTRICTED & CONFIDENTIAL		MATERIAL	
CONFIDENTIAL: INSPECTIVE IS FORWARDED TO THE PROPER AGENCIES TO DETERMINE IF THIS INFORMATION IS TO BE RELEASED OR USED FOR ANY OTHER PURPOSES. CONFIDENTIAL: THIS INFORMATION IS TO BE KEPT CONFIDENTIAL AND NOT TO BE DISCLOSED TO OTHER PERSONNEL OR TO THE PUBLIC WITHOUT THE EXPRESS WRITTEN PERMISSION OF THE OFFICE OF THE DIRECTOR OF THE NATIONAL SECURITY AGENCY.		PART NO. DATE J. JOYCE 5/2/74 RRR 10/1/74	
TITLE: PNEUMATIC SAFE-T-CABLE APPLICATION NO. 14027 NOSE ENVELOPE DRAWING		DESCRIPTION/REMARKS DMC	
ITEM NO. 1 QUANTITY 1		DATE 5/2/74 BY J. JOYCE	
DRAWN BY P/M CHECKED BY P/M DATE 5/2/74		SHEET NO. 1 OF 1	

DO NOT SCALE DRAWING