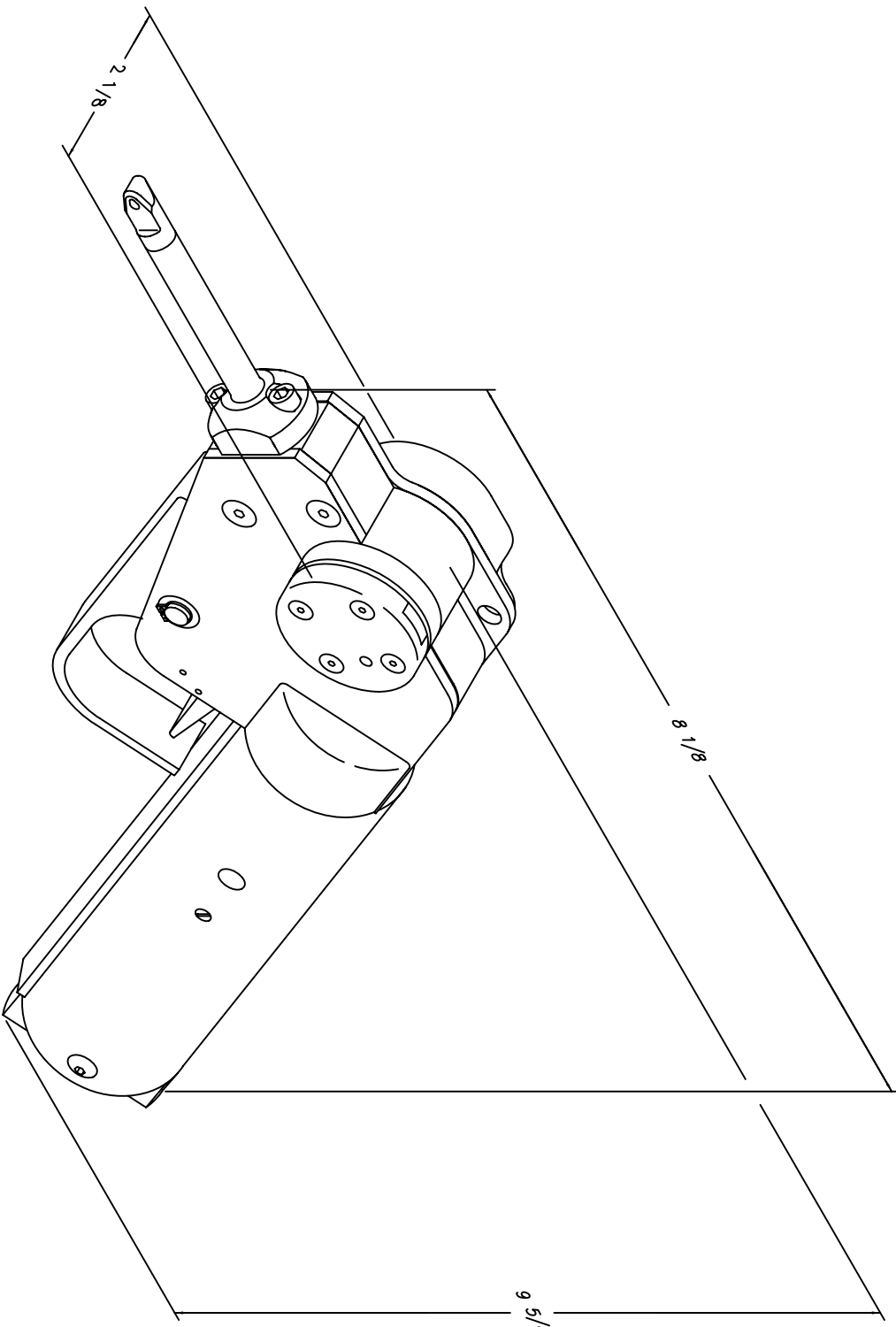


REV.	E.C.O. NUMBER	DESCRIPTION	BY DATE	APP'D DATE
1		ORIGINAL RELEASE	9/17/08	9/17/08



**UNCONTROLLED DOCUMENT  
WILL NOT BE UPDATED**

RESTRICTED & CONFIDENTIAL		COMPARTMENTAL PROPERTY OF DANIELS MANUFACTURING CORP. ANY DISCLOSURE TO OTHERS, REPRODUCTION OR USE FOR ANY OTHER PURPOSES WITHOUT THE WRITTEN PERMISSION OF DANIELS MANUFACTURING CORP. MUST BE REFERENCED TO DANIELS MANUFACTURING CORP. OR OTHER PURPOSE FOR WHICH LENT.	
MATERIAL	HEAT TREAT	FINISH	
ITEM	PART NO.	QTY.	DESCRIPTION/REMARKS
DRG. NO. 1	J. JOYCE 8/14/08		DANIELS MANUFACTURING CORP. ORLANDO, FLORIDA
CHKD. RRR	DATE 8/17/08		SIZE 1/8"
APPR.	DATE		
NOTE: THIS DRAWING IS AN OUTLINE DRAWING OF THE RESPECTIVE PART NUMBER IS DRAWING THE "ENV" SUFFIX.			
WHERE USED:	SCALE	QAD P/N	SHEET OF
C	NTS	SCIP203-ENV	1 1
		DMG. NO.	REV.
		SCIP203-ENV	1

DO NOT SCALE DRAWING