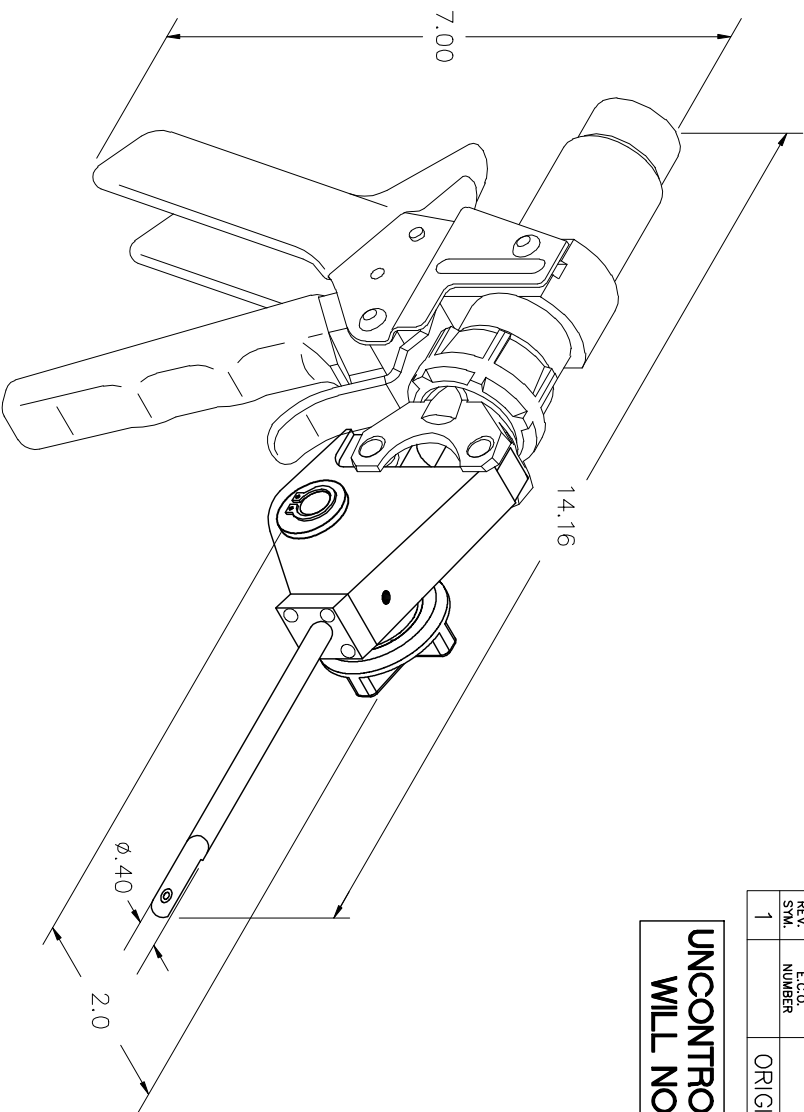


REVISIONS			
REV. SYM.	E.C.O. NUMBER	DESCRIPTION	BY DATE APP'D DATE
1		ORIGINAL RELEASE	K. KOONS 8-28-02 B-28-02

**UNCONTROLLED DOCUMENT
WILL NOT BE UPDATED**



RESTRICTED & CONFIDENTIAL		MATERIAL		ITEM		PART NO.		QTY.		DESCRIPTION/REMARKS	
CONFIDENTIAL PROPERTY OF DANIELS MANUFACTURING CORP. NOT TO BE DISCLOSED TO OTHERS. REPRODUCED OR USED FOR ANY OTHER PURPOSE, EXCEPT AS AUTHORIZED IN WRITING, BY DANIELS MANUFACTURING, MANUFACTURING CORP. ON COMPLETION OF ORDER OR OTHER PURPOSE FOR WHICH LENT.		HEAT TREAT		DRW.	JMC	DATE	5-9-01			DANIELS MANUFACTURING CORP. ORLANDO, FLORIDA CAGE 11851	
		FINISH		CHK'D.	JWJ	DATE	5-9-01			SAFE-T-CABLE® HYDRAULIC APPLICATION TOOL Ø 062, 5" NOSE ENVELOPE DRAWING	
DO NOT SCALE DRAWING		NOTE:		APP'D.		DATE				THIS DRAWING IS AN OUTLINE DRAWING OF THE RESPECTIVE PART NUMBER INDICATED. ACTUAL DIMC PART NUMBER IS DRAWING NUMBER WITHOUT THE "-ENV" SUFFIX.	
		WHERE USED:		APP'D.		DATE					SIZE SCALE B NTS POSTING CAD P/N SC1H625-ENV DWG. NO. SC1H625-ENV SHEET 1 OF 1 REV. 1

- NOTES:
1. WEIGHT: 4 lb 5 oz.