

SCTD011 / SCTD0001 ADJUSTABLE MICROMETER TORQUE WRENCH

SEE PAGE 5 FOR IMPORTANT INFORMATION CONCERNING
LIMITED WARRANTY, AND LIMITATION OF LIABILITY.

SAFETY MESSAGES:

WARNING!

Read this Datasheet completely before using torque instrument and store for future reference.

Wear safety goggles – both user and bystanders.

1. An out of calibration torque wrench can cause part or tool breakage.
2. Periodic re-calibration is necessary to maintain accuracy.
3. Do not exceed rated torque as overtorquing can cause wrench or part failure.
4. Do not use torque instrument to break fasteners loose.
5. Do not use cheater extension on the handle to apply torque.
6. Broken or slipping tools can cause injury.

CAUTION – RATCHET HEAD

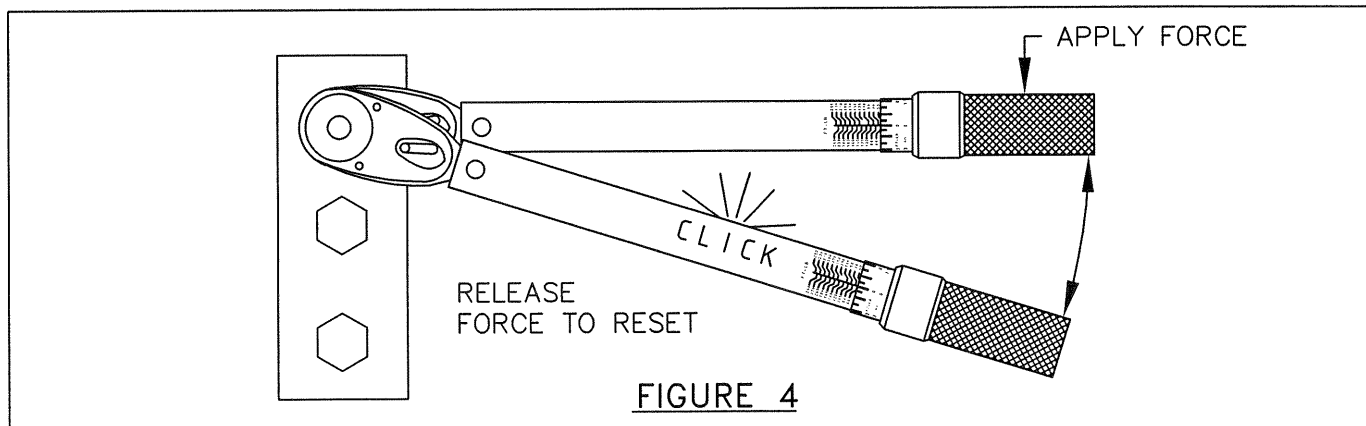
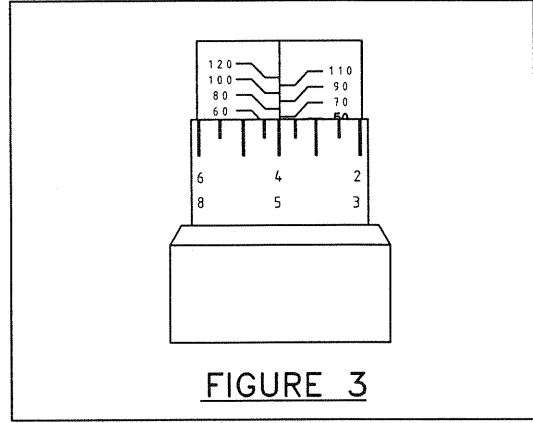
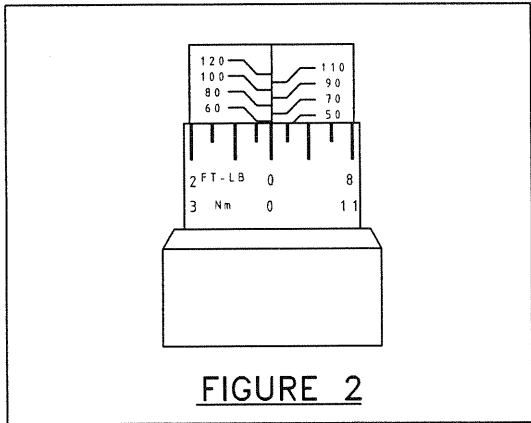
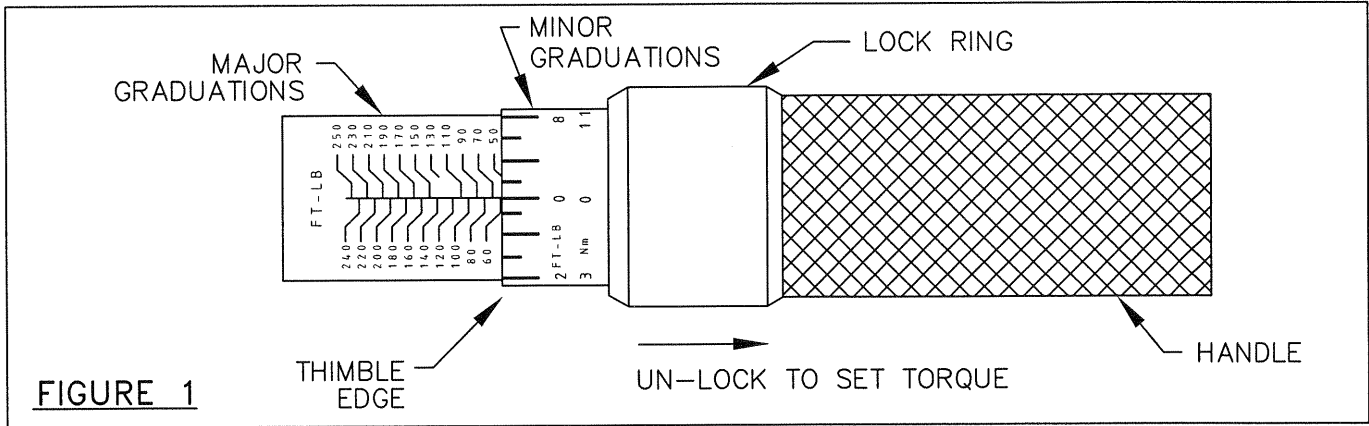
Ratchet mechanism may slip or break if dirty, mismatched or worn parts are used, or direction lever is not fully engaged. Ratchets that slip or break can cause injury.

MAINTENANCE / SERVICE

1. The torque wrench's internal mechanism is permanently lubricated during assembly. **Do not attempt to lubricate the internal mechanism.**
2. Clean torque wrench by wiping. **Do not immerse.**
3. Store torque wrench in protective case, if available, at its lowest torque setting. **Do not force handle below lowest setting.**

ADJUSTMENTS OF TORQUE SETTINGS (SEE FIGURE 1)

1. To unlock handle hold tube and pull lock ring back allowing handle to turn clockwise or counterclockwise.
2. Set wrench to desired torque as follows:
EXAMPLE – 64 ft.lb.
 - A. Keep slight rearward pull on lock-ring during all adjustments.
 - B. Line up thimble edge with the "60" graduation cross line and zero with vertical line. Wrench is now set at 60 ft. lb. (see Figure 2).
 - C. Turn handle and set thimble graduation to "4" on vertical line. Wrench is now set at 64 ft. lb. (see Figure 3).
 - D. Lock handle by releasing back pressure on lock-ring until it clicks and handle does not turn.
 - E. To torque fastener, keep hand centered on the grip handle. Apply a slow steady force in the desired direction until a click/impulse is heard or felt. Stop pulling and allow the wrench to reset (see Figure 4).



USE OF EXTENSIONS AND ADAPTERS (SEE FIGURE 5)

When using an extension or adapter (increasing the effective length of the torque wrench) the output torque value will change. To calculate the new torque output of the wrench, use the following formula:

$$TW = \frac{TA \times L}{L + A}$$

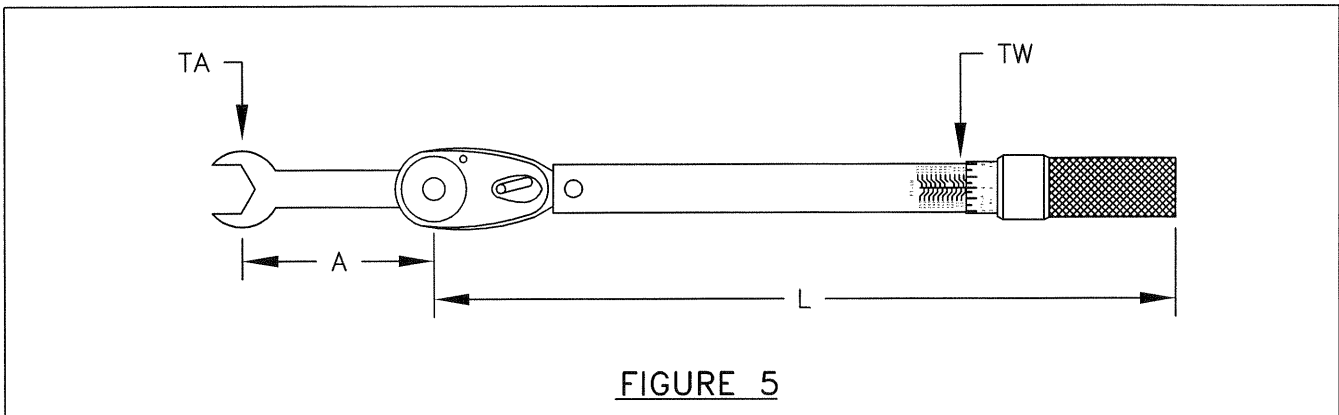
TA = Torque exerted at end of adapter

L = Distance between square drive and hand position

TW = Torque wrench scale reading

A = Length of adapter or extension

A number of variables including the length of the adapter or extension, length of the wrench and variations in hand position on the wrench will affect the accuracy of the above calculation.



CERTIFICATION

This torque wrench has been calibrated at the factory, is certified to meet the accuracy in specification: ASME B107.14M-1994, GGG-W-686, Type 2, Class A Style 1, 2 and ISO 6789. Additionally all wrenches are calibrated on a torque standard traceable to the National Institute of Standards Technology (N.I.S.T.).

CONVERSION TABLE

To Convert From	To	Multiply By
lb.in.	oz.in.	16
lb.in.	lb.ft.	.0833
lb.in.	kg.cm.	1.1519
lb.in.	kg.m.	.011519
lb.in.	N.m.	.113
lb.in.	dN.m.	1.13
lb.ft.	kg.m.	.1382
lb.ft.	N.m.	1.356
N.m.	dN.m.	10
N.m.	kg.cm.	10.2
N.m.	lb.in.	.102
oz.in.	lb.in.	.0625
lb.ft.	lb.in.	12
kg.cm.	lb.in.	.8681
kg.m.	lb.in.	86.81
N.m.	lb.in.	8.85
dN.m.	lb.in.	.885
kg.m.	lb.ft.	7.236
N.m.	lb.ft.	.7376
dN.m.	N.m.	.10
kg.cm.	N.m.	.09807
kg.m.	N.m.	9.807

DMC offers complete refurbishing and recalibration services.

DMC specially engineers and manufactures complete tool kits to satisfy individual customer requirements, such as total aircraft support, general shop maintenance or production, on board ship and vehicle service, etc.

INVALIDATION OF LIMITED WARRANTY

THIS MANUAL IS PROVIDED TO THOSE OWNERS OF DANIELS MANUFACTURING CORPORATION (DMC) PRODUCTS WHO HAVE ELECTED TO CONDUCT IN-HOUSE REPAIRS OF SUCH PRODUCTS AND WHO THEREBY CONSENT TO WAIVE ANY RIGHTS WHICH THEY OTHERWISE MIGHT HAVE HAD UNDER THE DMC LIMITED WARRANTY APPLICABLE TO SUCH PRODUCTS.

DMC PROVIDES COMPLETE REPAIR AND MAINTENANCE SERVICE FOR ALL OF ITS PRODUCTS. OWNERS OF DMC PRODUCTS ARE WARNED THAT ANY TAMPERING, INCLUDING PARTIAL OR COMPLETE DISASSEMBLY OF THE PRODUCT OR ATTEMPTED REPAIRS OF THE PRODUCT WILL INVALIDATE THE LIMITED WARRANTY APPLICABLE TO SAID PRODUCT.

LIMITATION OF LIABILITY

DANIELS MANUFACTURING CORPORATION IS NOT LIABLE FOR CONSEQUENTIAL OR SPECIAL DAMAGES OF ANY NATURE OR KIND RESULTING FROM THE USE, OR MISUSE, OF ANY OF ITS PRODUCTS. OWNERS AND USERS OF DMC PRODUCTS ASSUME FULL RESPONSIBILITY FOR INSTRUCTING THEIR EMPLOYEES IN THE PROPER AND SAFE USE OF SUCH PRODUCTS.

LIMITED WARRANTY

DMC (Daniels Manufacturing Corporation) warrants each new product sold by it to be free from defects in material and workmanship under normal use and service. DMC's obligation under this warranty is limited to the free correction or, at DMC's option, the refund of the purchase price of any such product which proves defective in normal service within ninety (90) days after delivery to the first user, provided that the product is returned to DMC with all transportation charges prepaid and which shall appear to DMC's satisfaction, after DMC's inspection, to have been defective in material or workmanship, it being understood that DMC products are not consumer products. This warranty shall not cover any damage to any product which, in the opinion of DMC, was caused by normal wear, misuse, improper operation, tampering, neglect or accident. This warranty is in lieu of all other warranties express or implied. No warranty, express or implied, is made or authorized to be made or assumed with respect to products of Daniels Manufacturing Corporation other than those herein set forth.