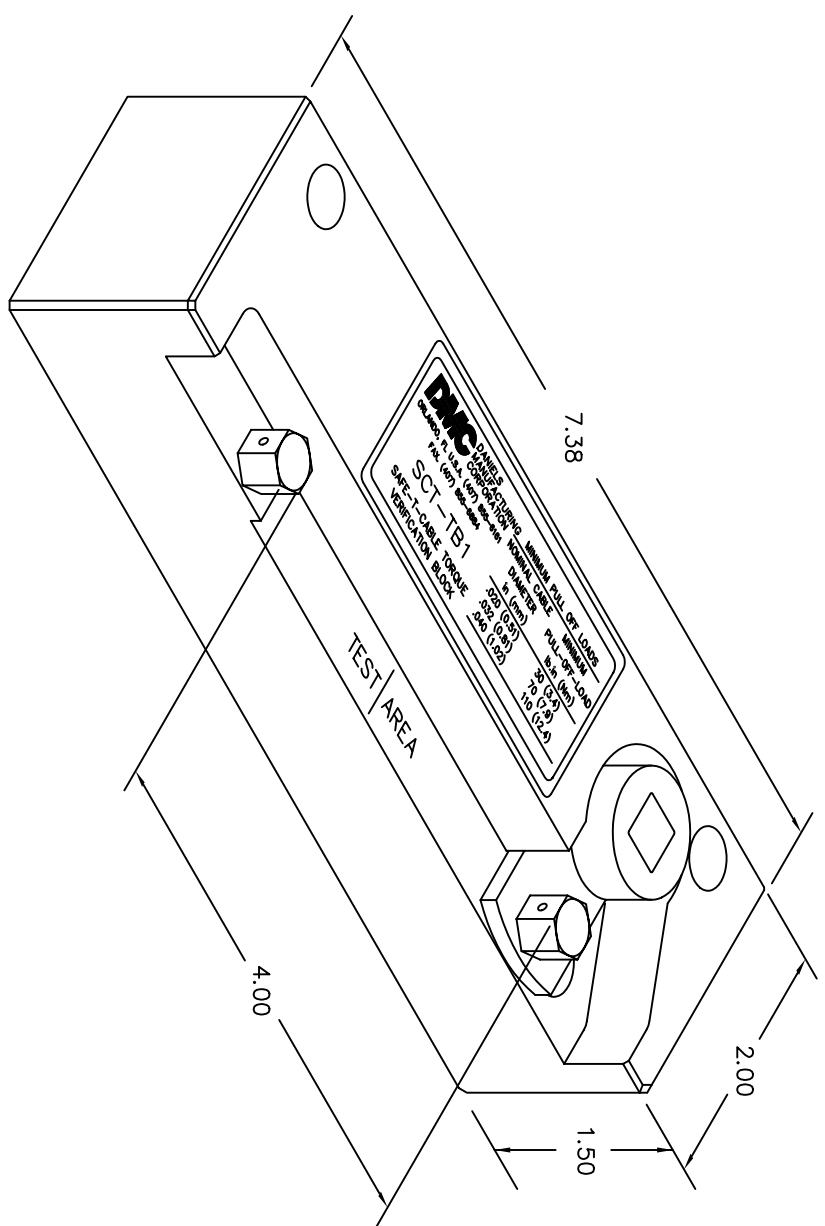


REVISIONS				
REV. SYM.	E.C.O. NUMBER	DESCRIPTION	BY DATE	APP'D DATE
2		REVISED PICTORALLY	JMU 1/12/01 RRR 1/12/01	



**UNCONTROLLED DOCUMENT
WILL NOT BE UPDATED**

<p style="text-align: center;">RESTRICTED & CONFIDENTIAL</p> <p style="text-align: center; font-size: small;">CONFERENTIAL PROPERTY OF DANIELS MANUFACTURING CORP. NOT TO BE DISCLOSED TO OTHERS, REPRODUCED OR USED FOR ANY OTHER PURPOSE, EXCEPT AS AUTHORIZED IN WRITING BY DANIELS MANUFACTURING. MUST BE RETURNED TO DANIELS MANUFACTURING FOR CANCELLATION OF ORDER OR OTHER PURPOSE FOR WHICH LENT.</p>		MATERIAL		ITEM		PART NO.		QTY.		DESCRIPTION/REMARKS	
		FINISH		HEAT TREAT		DRN. W. CABERS/7/14/94		DATE 7/94		DATE	
DO NOT SCALE DRAWING		HEAT TREAT		APP'D. DE		DATE		DATE		DATE	
		FINISH		APP'D.		DATE		DATE		DATE	
NOTE:		THIS DRAWING IS AN OUTLINE DRAWING OF THE RESPECTIVE INDIVIDUAL PART NUMBER. PART NUMBER IS DRAWING NUMBER WITHOUT THE "-ENV" SUFFIX.		WHERE USED:		SCALE		SHEET		OF	
		B		NTS		1		1		1	
		DMC NO.		SCT-TB1-ENV		SCT-TB1-ENV		SCT-TB1-ENV		REV. 2	