

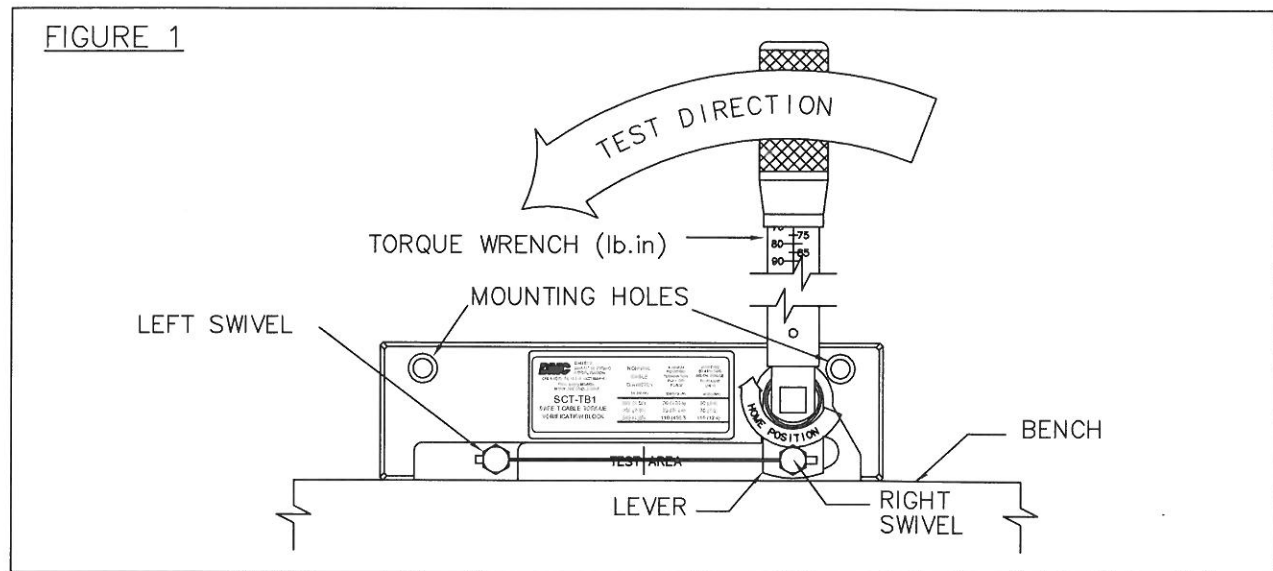
SCT-TB1 SAFE-T-CABLE[®] TORQUE VERIFICATION BLOCK

DMC DANIELS
MANUFACTURING
CORPORATION
DATASHEET

SEE PAGE 3 FOR IMPORTANT INFORMATION CONCERNING
LIMITED WARRANTY, AND LIMITATION OF LIABILITY.

SAFE-T-CABLE[®] TORQUE VERIFICATION BLOCK

The SCT-TB1 Torque Verification Block may be mounted on its side as shown in Figure 1 and secured by placing your hand on the upper surface of the Block. The Block may also be mounted flat and secured to a bench with 1/4" diameter socket head cap screws inserted in the two counterbored holes.



- A: Thread the cable into the left swivel and through the right swivel, holding the lever in the home position as shown in Figure 1. Terminate the cable as described in Section 3.0 of ISO271 APPLICATION TOOL INSTRUCTION SHEET, or SCT-DS Datasheet, making sure to close the handles completely. If the lever is not kept in the home position, the results may be adversely affected.
- B: Apply approximately 2 lbs force to the cable with your finger (or use the Daniels SCTD013 Retention Tester) at the line marked TEST AREA on the Test Block. If the cable touches the back surface of the test area then remove the cable from the Test Block and terminate another cable as described above, taking care to hold the tool perpendicular to the cable.
- C: Place a calibrated 3/8" drive inch-pound torque wrench (Daniels SCTD0001) into the square drive hole of the lever and apply the proper torque as shown in Figure 2. If the cable breaks or pulls out of the ferrule, then the crimp is unacceptable, and the tool indenter should be adjusted per Section 1.2 of ISO271 or Application Tool Datasheet.

CAUTION

RELEASE TORQUE WHEN MINIMUM PULL-OFF LOAD IS ACHIEVED. DO NOT APPLY
ADDITIONAL TENSION TO THE SAFETY CABLE.

FIGURE 2

NOMINAL CABLE DIAMETER	MINIMUM REQUIRED TERMINATION PULL-OFF FORCE	ACHIEVED BY APPLYING BELOW TORQUE TO SQUARE DRIVE
in (mm)	lbs-force (N)	in-lbs (Nm)
.022 (0.56)	30 (133.4)	30 (3.4)
.032 (0.81)	70 (311.4)	70 (7.9)
.040 (1.02)	110 (489.3)	110 (12.4)

- D: If the cable did not break or pull out of the ferrule after applying proper torque, remove the torque wrench and apply approx. 2 lbs force to the cable with your finger (or use the SCTD013 Retention Tester) at the line marked TEST AREA on the Test Block. If the cable touches the back surface of the test area then the crimp is unacceptable, and the tool indenter should be adjusted per Section 1.2 of ISO271 or Application Tool Datasheet.
- E: A crimp is acceptable if the cable will not touch either the side or bottom surface of the test area after applying the proper Pull-Off Load.

ACCESSORY PART NUMBERS

<u>Part Number</u>	<u>Description</u>
SCTD0001	TORQUE WRENCH (20-150 lb.in.)
SCTD013	SAFE-T-CABLE [®] RETENSION TESTER
SCTD0006	NEEDLE NOSE PLIERS
45-6N	SAFE-T-CABLE [®] DIAGONAL CUTTERS
SCTD012	RETAINING RING PLIERS
MPT-200A-SC	MOTORIZED ELECTRONIC TENSILE TESTER

SAFE-T-CABLE[®] APPLICATION TOOLS

<u>Part Number</u>	<u>Description</u>
SCT SERIES	PRE-SET TENSION TOOL
SCTR SERIES	ADJUSTABLE TENSION TOOL
SCTP SERIES	PNEUMATIC ADJUSTABLE TENSION TOOL
SCTE SERIES	BATTERY ADJUSTABLE TENSION TOOL
SCTH SERIES	HYDRAULIC ADJUSTABLE TENSION TOOL

DMC offers complete refurbishing and recalibration services.

DMC specially engineers and manufactures complete tool kits to satisfy individual customer requirements, such as total aircraft support, general shop maintenance or production, on board ship and vehicle service, etc.

LIMITATION OF LIABILITY

DANIELS MANUFACTURING CORPORATION IS NOT LIABLE FOR CONSEQUENTIAL OR SPECIAL DAMAGES OF ANY NATURE OR KIND RESULTING FROM THE USE, OR MISUSE, OF ANY OF ITS PRODUCTS. OWNERS AND USERS OF DMC PRODUCTS ASSUME FULL RESPONSIBILITY FOR INSTRUCTING THEIR EMPLOYEES IN THE PROPER AND SAFE USE OF SUCH PRODUCTS.

LIMITED WARRANTY

DMC (Daniels Manufacturing Corporation) warrants each new product sold by it to be free from defects in material and workmanship under normal use and service. DMC's obligation under this warranty is limited to the free correction or, at DMC's option, the refund of the purchase price of any such product which proves defective in normal service within ninety (90) days after delivery to the first user, provided that the product is returned to DMC with all transportation charges prepaid and which shall appear to DMC's satisfaction, after DMC's inspection, to have been defective in material or workmanship, it being understood that DMC products are not consumer products. This warranty shall not cover any damage to any product which, in the opinion of DMC, was caused by normal wear, misuse, improper operation, tampering, neglect or accident. This warranty is in lieu of all other warranties express or implied. No warranty, express or implied, is made or authorized to be made or assumed with respect to products of Daniels Manufacturing Corporation other than those herein set forth.