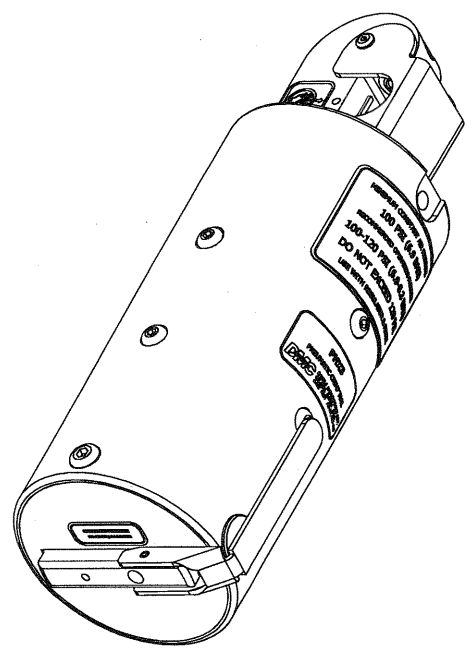
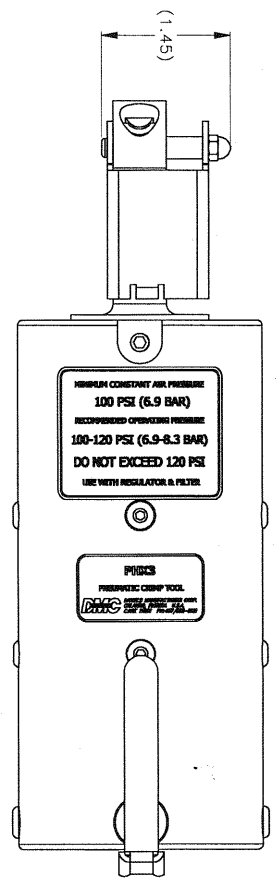
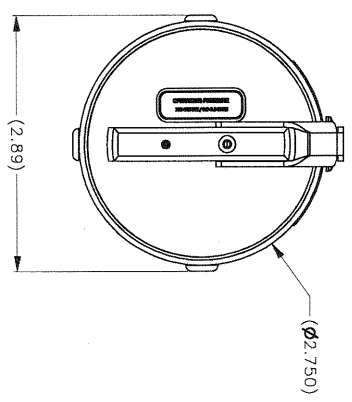
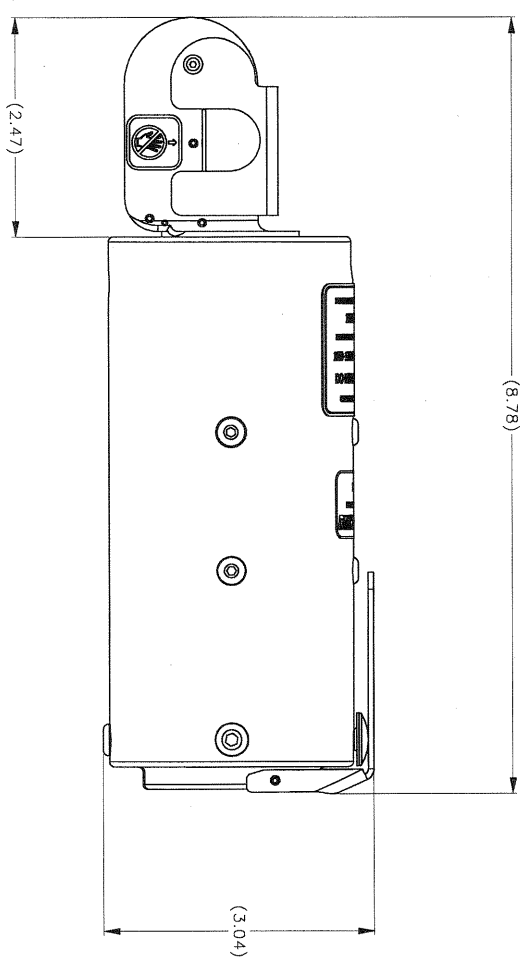


REV	DATE	BY	APP'D
1			
DESCRIPTION		DATE	APP'D
ORIGINAL RELEASE		5-17-10	



ISOMETRIC VIEW



UNCONTROLLED DOCUMENT  
WILL NOT BE UPDATED

NOTE:  
1. AIR HOSE NOT SHOWN, BUT SHIPPED WITH TOOL.

RESTRICTED & CONFIDENTIAL MANUFACTURING CORP. NOT TO BE DISCLOSED TO OTHERS, REPRODUCED EXCEPT AS AUTHORIZED IN WRITING. MUST BE RETURNED TO DANIELS MANUFACTURING CORP. ON COMPLETION WHICH LEAVES NO COPY.		DATE		DATE		DATE		DATE	
ITEM	QTY	DESCRIPTION/REMARKS	DATE	DATE	DATE	DATE	DATE	DATE	DATE
PHIX3	1	PNEUMATIC CRIMP TOOL ENVELOPE DRAWING							
DRAWN BY: PHIX3-ENV		CHECKED BY: PHIX3-ENV		DATE: 5-17-10		DATE: 5-17-10		DATE: 5-17-10	
DRAWING IS AN OUTLINE INDICATED. ACTUAL DIM PART NUMBER AND DRAWING THE "ENV" SUFFIX		WHERE USED:		SHEET 1 OF 1		REV 1		REV 1	
DANIELS MANUFACTURING CORP. ORLANDO, FLORIDA CAGE 17181		PHIX3-ENV		PHIX3-ENV		PHIX3-ENV		PHIX3-ENV	
DO NOT SCALE DRAWING		CREATED FROM AN INVENTOR MODEL. CHANGES MUST BE REFLECTED IN THE 3D PART		FINISH		HATCH TREAT		MATERIAL	