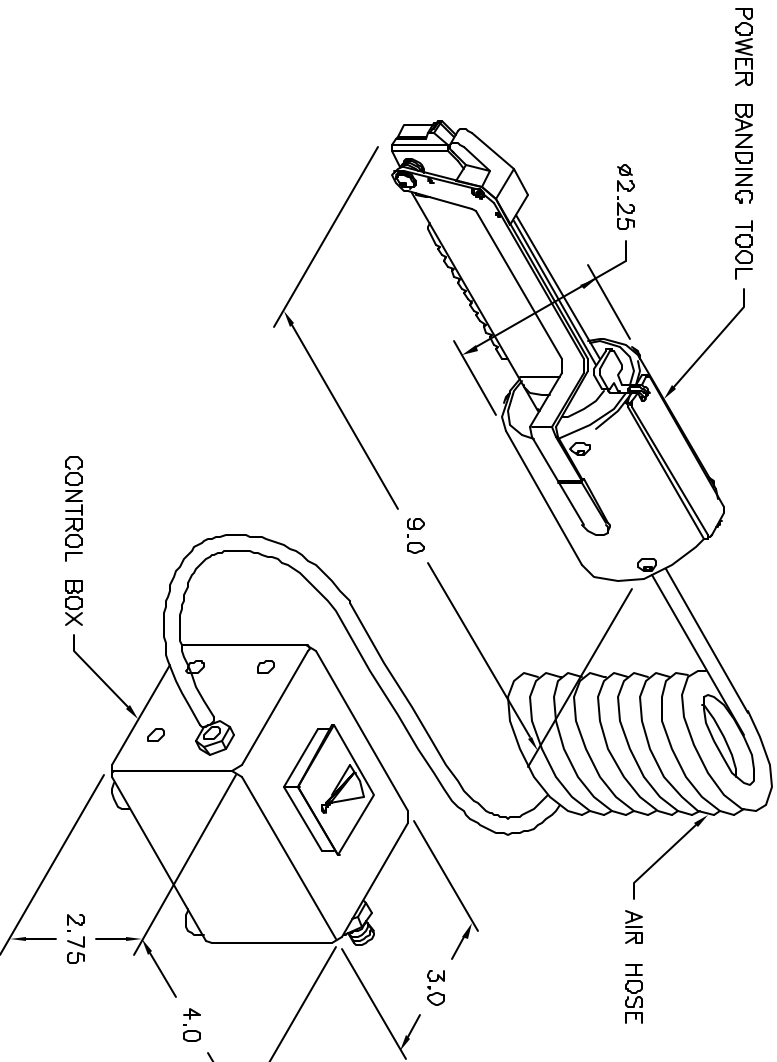


REVISIONS				
REV.	EQD. NUMBER	DESCRIPTION	BY DATE	APP'D DATE
1		ORIGINAL RELEASE	2-13-98	2-98



**UNCONTROLLED DOCUMENT  
WILL NOT BE UPDATED**

1. USES 1/4" WIDE BANDS (DMC P/N 4-1380).

NOTES:

<b>RESTRICTED &amp; CONFIDENTIAL</b>		COMMERCIAL PROPERTY OF DANIEL'S MANUFACTURING CORP. NOT TO BE DISCLOSED TO OTHERS, REPRODUCED OR USED FOR ANY OTHER PURPOSE, EXCEPT AS AUTHORIZED IN WRITING, BY DANIEL'S MANUFACTURING. MUST BE RETURNED TO DANIEL'S MANUFACTURING FOR ORDER PURPOSE FOR WHICH UNIT.	
MATERIAL		FINISH	
HEAT TREAT		DO NOT SCALE DRAWING	
ITEM	PART NO.	QTY.	DESCRIPTION/REMARKS
TRN. E. DIAZ	DATE 2-13-98		
CHD. WJLP	DATE 6-26-98		
APP'D.	DATE		
APP'D.	DATE		
NOTE: THIS DRAWING IS AN OUTLINE DRAWING OF THE RESPECTIVE DMC PART NUMBER. ACTUAL DMC PART NUMBER IS DRAWING THE -ENV SUFFIX.			
TITLE		WHERE USED	
<b>DMC</b> DANIEL'S MANUFACTURING CORP. ORLANDO, FLORIDA CAGE 71897		SIZE SCALE B NTS POSTING	
POWER BANDING TOOL ENVELOPE DRAWING		CAP P/N PBT1100-ENV DWG. NO. PBT1100-ENV	
		SHEET 1 REV. 1	