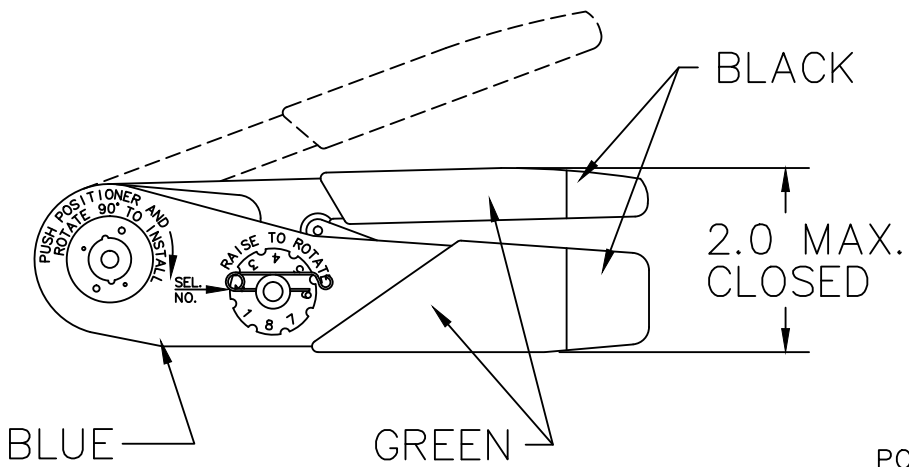


| REVISIONS | | | | |
|-----------|---------------|-------------|-------------|-------------|
| REV. SYM. | E.C.O. NUMBER | DESCRIPTION | BY DATE | APP'D DATE |
| 2 | | ADDED NOTE | ENF 1-13-11 | RRR 1-13-11 |



GAGING LIMITS FOR INDENTERS

| SELECTOR NO. | GAGE-INSPECTION | |
|--------------|-----------------|------------------|
| | GO DIA ±.0001 | NO-GO DIA ±.0001 |
| 1 | .0640 | .0670 |
| 2 | .0670 | .0700 |
| 3 | .0700 | .0730 |
| 4 | .0730 | .0760 |
| 5 | .0770 | .0800 |
| 6 | .0810 | .0840 |
| 7 | .0850 | .0880 |
| 8 | .0900 | .0930 |

USE GAGE P/N G256 AT SEL NO 1

POSITIONERS USED WITH MH804

| PART NUMBER | CONTACTS ACCOMMODATED |
|-------------|--|
| D12/1-1M | M39029/19-02 M39029/21/02 INNER SHD SLEEVES A & B |
| D12/2-1M | M39029/20-02,-03 INNER SHD SLEEVES A & B |

GAGING LIMITS FOR RETAINERS

| SELECTOR NO. | GAGE-INSPECTION | |
|--------------|-----------------|------------------|
| | GO DIA ±.0001 | NO-GO DIA ±.0001 |
| 8 | .1210 | .1240 |

USE GAGE P/N G260 AT SEL NO 8

**UNCONTROLLED DOCUMENT
WILL NOT BE UPDATED**

CONFORMS TO REF:
M22520/22-01
MEETS PERFORMANCE
STANDARD,
BUT IS NOT QPL

RESTRICTED & CONFIDENTIAL

CONFIDENTIAL PROPERTY OF DANIELS MANUFACTURING CORP. NOT TO BE DISCLOSED TO OTHERS, REPRODUCED OR USED FOR ANY OTHER PURPOSE, EXCEPT AS AUTHORIZED IN WRITING BY DANIELS MANUFACTURING. MUST BE RETURNED TO DANIELS MANUFACTURING CORP. ON COMPLETION OF ORDER OR OTHER PURPOSE FOR WHICH LENT.

DO NOT SCALE DRAWING

| | | | |
|--------|----------|------|---------|
| DRN. | J. JOYCE | DATE | 2/13/03 |
| CHK'D. | RRR | DATE | 2/13/03 |
| APP'D. | | DATE | |
| APP'D. | | DATE | |



DANIELS MANUFACTURING CORP.
ORLANDO, FLORIDA
CAGE 11851

TITLE
**ENVELOPE DRAWING
CRIMP TOOL**

| | | | |
|-------------|-------|-----------|----------|
| WHERE USED: | | | |
| SIZE | SCALE | CAD P/N | SHEET OF |
| A | NTS | MH804-ENV | 1 1 |
| POSTING | | P/N | REV. |
| | | MH804-ENV | 2 |