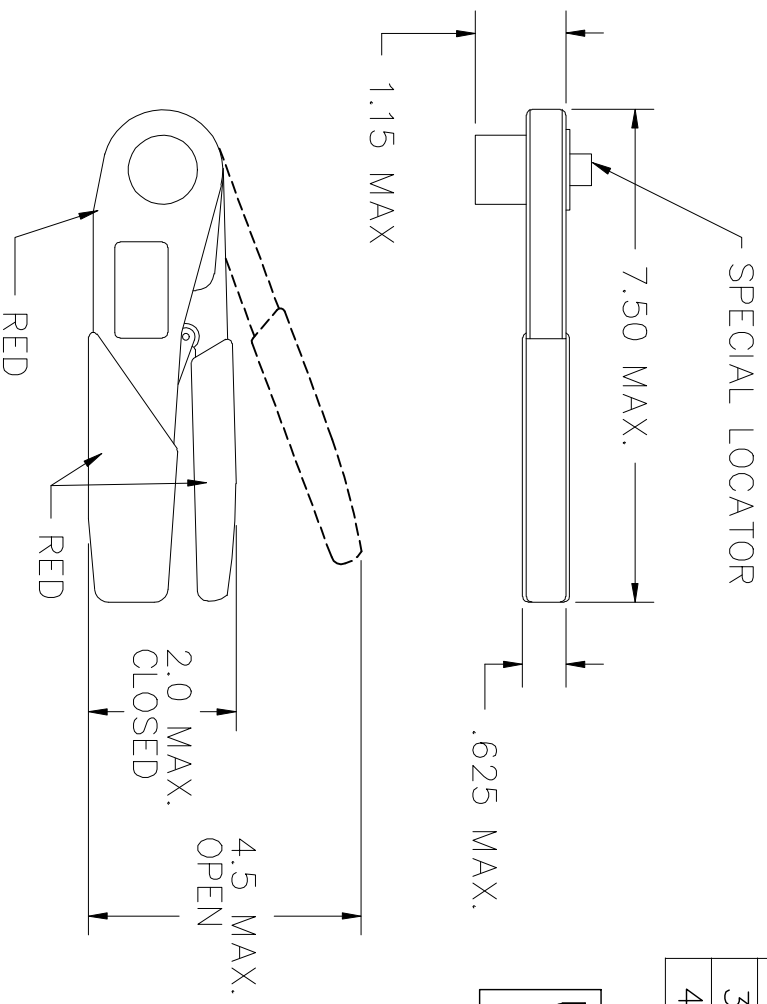


REVISIONS				
REV. SYM.	E.C.O. NUMBER	DESCRIPTION	BY DATE	APP'D DATE
1		ORIGINAL RELEASE	AAM 9-14-98	DE 9-14-98
2		ADDED GAGING DIMS.	AAM 8-12-99	RRR 8-12-99
3		GLENAIR UK WAS MILES ROYSTON	TD 2-12-08	
4		REMOVED DATAPLATE	TD 5-5-09	

**UNCONTROLLED DOCUMENT
WILL NOT BE UPDATED**



1. GAGING DIMENSIONS:
 GO .027 (0.69mm)
 NO-GO .029 (0.74mm)

NOTES:

RESTRICTED & CONFIDENTIAL		CONFIDENTIAL PROPERTY OF DANIELS MANUFACTURING CORP. NOT TO BE DISCLOSED TO OTHERS, REPRODUCED OR USED FOR ANY OTHER PURPOSE, EXCEPT AS AUTHORIZED IN WRITING BY DANIELS MANUFACTURING. MUST BE RETURNED TO DANIELS MANUFACTURING CORP. ON COMPLETION OF ORDER OR OTHER PURPOSE FOR WHICH LENT.	
DRN. A. MOO-YOUNG	DATE 9-14-98	DANIELS MANUFACTURING CORP. ORLANDO, FLORIDA CAGE 11851 ENVELOPE DRAWING SPECIAL PURPOSE TOOL	
CHK'D. DE	DATE 9-14-98		
APP'D.	DATE		
APP'D.	DATE		
NOTE: THIS DRAWING IS AN OUTLINE DRAWING OF THE RESPECTIVE DMG PART NUMBER INDICATED. ACTUAL DMG PART NUMBER IS DRAWING NUMBER WITHOUT THE "-ENV" SUFFIX.		WHERE USED:	
DO NOT SCALE DRAWING		SIZE A	SCALE NTS
		CAD P/N MH800(GB109)-ENV	SHEET 1 OF 1
		DWG. NO. MH800(GB109)-ENV	REV. 4