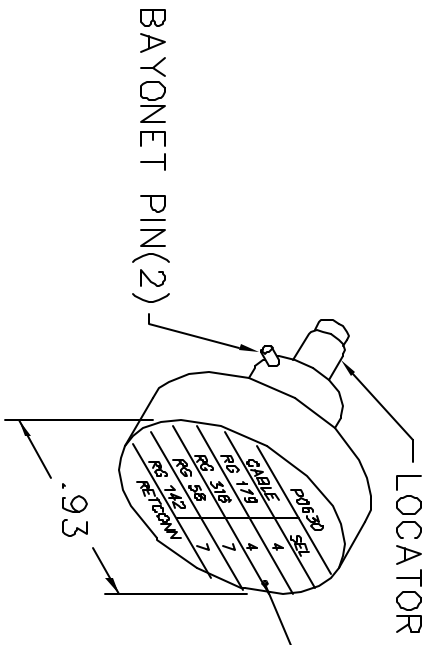
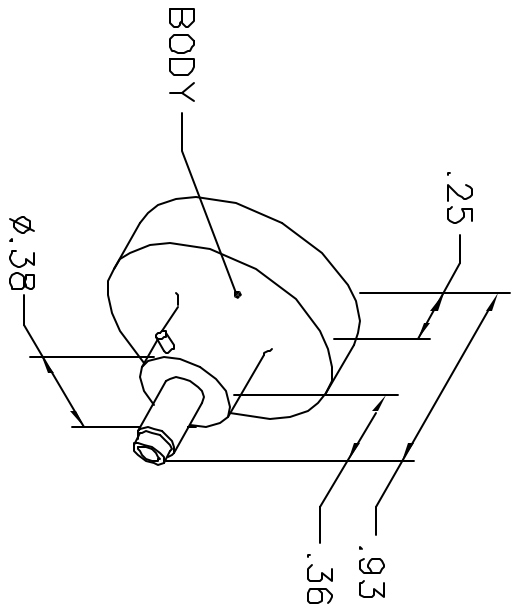


REVISIONS				
REV. SYM.	E.C.O. NUMBER	DESCRIPTION	BY DATE	APP'D DATE
1		ORIGINAL RELEASE	AAM 5-11-98	DE 5-98
2		REVISED DATAPLATE	AAM 10-22-99	RRR 10-22-99

**UNCONTROLLED DOCUMENT
WILL NOT BE UPDATED**



P0630	
CABLE	SEL
RG 179	4
RG 316	4
RG 58	7
RG 142	7
RETCONN	

NOTE: FOR USE WITH DANIELS CRIMP TOOLS
ACCOMMODATING "K" SERIES POSITIONERS

LOCATOR	LOCATOR
HOLE DIMENSIONS	ADDITIONAL FEATURES
∅.059	└┘ ∅.071
∇.580 MIN.	∇.037

RESTRICTED & CONFIDENTIAL

CONFIDENTIAL PROPERTY OF DANIELS MANUFACTURING CORP. NOT TO BE DISCLOSED TO OTHERS, REPRODUCED OR USED FOR ANY OTHER PURPOSE, EXCEPT AS AUTHORIZED IN WRITING BY DANIELS MANUFACTURING. MUST BE RETURNED TO DANIELS MANUFACTURING CORP. ON COMPLETION OF ORDER OR OTHER PURPOSE FOR WHICH LENT.

DO NOT SCALE DRAWING

DRN. A. MOO-YOUNG	DATE 5-11-98
CHKD. DE	DATE 5-98
APP'D.	DATE
APP'D.	DATE

DMC
DANIELS MANUFACTURING CORP.
ORLANDO, FLORIDA
CAGE 11851

TITLE
ENVELOPE DRAWING
POSITIONER

NOTE: THIS DRAWING IS AN OUTLINE DRAWING OF THE RESPECTIVE DMC PART NUMBER INDICATED. ACTUAL DMC PART NUMBER IS DRAWING NUMBER WITHOUT THE "-ENV" SUFFIX.		WHERE USED: AFMB	CAD P/N	SHEET	REV.
SIZE A	SCALE NTS	K981-ENV	1	OF 1	2
POSTING	DWG. NO. K981-ENV				