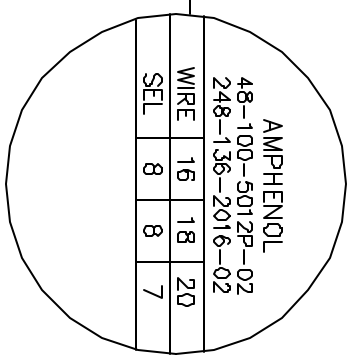
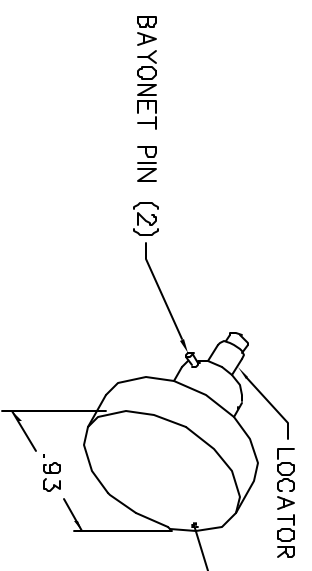
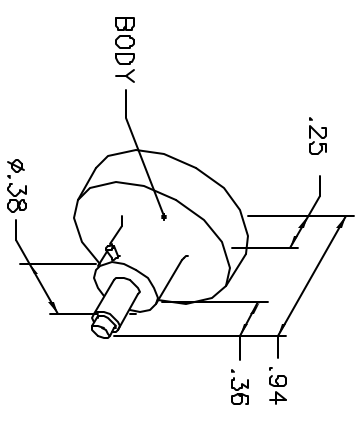


REVISIONS				
REV. NUMBER	E.C.O. NUMBER	DESCRIPTION	BY DATE	APP'D DATE
2		WAS 1.36 LONG	MM 7-23-87	DE 7-87

**UNCONTROLLED DOCUMENT
WILL NOT BE UPDATED**



NOTE: FOR USE WITH DANIELS CRIMP TOOLS ACCOMMODATING "K" SERIES POSITIONERS

LOCATOR	
HOLE DIMENSIONS	ADDITIONAL FEATURES
$\phi .082$ $\nabla .58 \text{ MIN.}$	$\sqsubset \phi .110$ $\nabla .138$

RESTRICTED & CONFIDENTIAL

CONFIDENTIAL PROPERTY OF DANIELS MANUFACTURING CORP. NOT TO BE DISCLOSED TO OTHERS, REPRODUCED OR USED FOR ANY OTHER PURPOSE, EXCEPT AS AUTHORIZED IN WRITING BY DANIELS MANUFACTURING. MANUFACTURING CORP. OR CANCELLATION OF ORDER OR OTHER PURPOSE FOR WHICH SENT.

DO NOT SCALE DRAWING

ITEM	PART NO.	QTY.	DESCRIPTION/REMARKS
DRN. A. MCO-YOUNG	DATE 7-23-87		
CHKT'D. DE	DATE 7-87		
APPR'D.	DATE		

NOTE: THIS DRAWING IS AN OUTLINE DRAWING OF THE RESPECTIVE PART NUMBER BEING DRAWN. THE "-ENV" SUFFIX		WHERE USED: AFNAB	CAD FILE NO. K977-ENV	SHEET OF 1
SIZE B	SCALE NTS		DWG. NO. K977-ENV	REV. 1
				2

TITLE		DANIELS MANUFACTURING CORP. ORLANDO, FLORIDA CASE 11851	
ENVELOPE DRAWING POSITIONER			