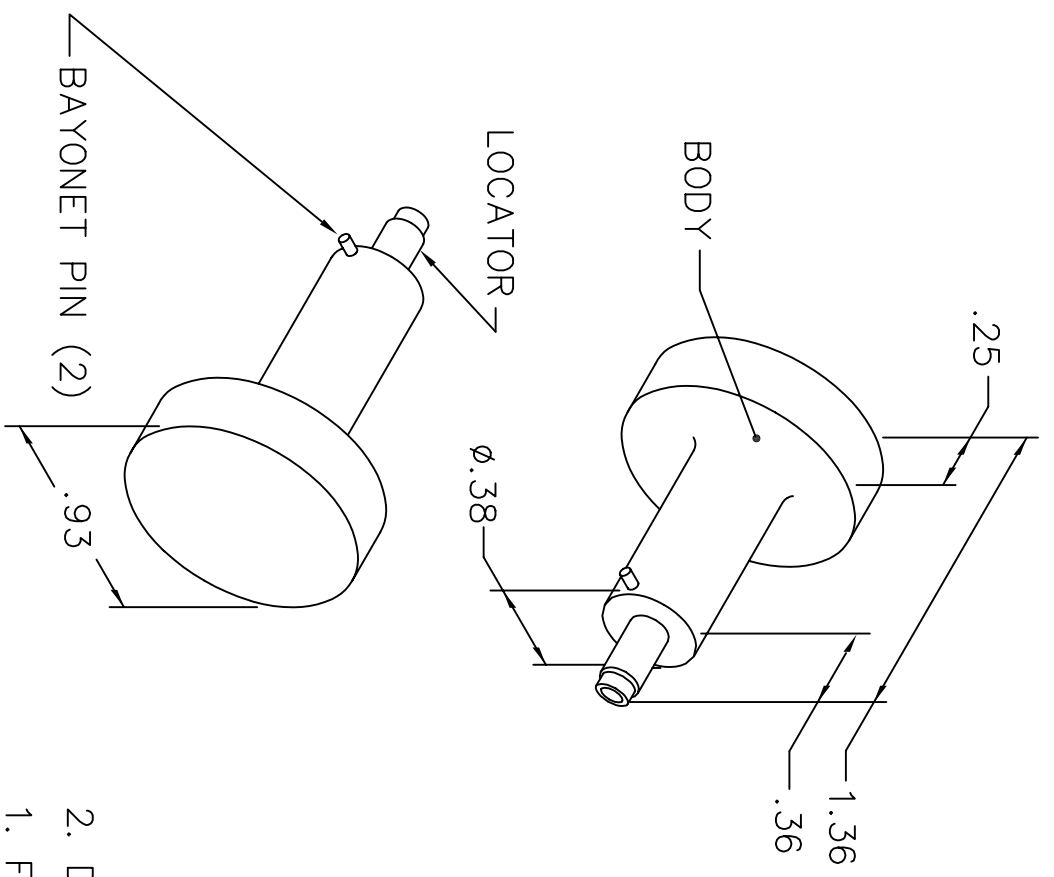


REVISIONS				
REV. SYM.	E.C.O. NUMBER	DESCRIPTION	BY DATE	APP'D DATE
1		ORIGINAL RELEASE	JWJ 6/17/03	RRR 6/17/03

**UNCONTROLLED DOCUMENT
WILL NOT BE UPDATED**



1. FOR USE WITH DANIELS CRIMP TOOL, AFM8.
2. DATAPLATE TO BE ORDERED AND SHIPPED SEPARATELY.

NOTES:

LOCATOR	
HOLE DIMENSIONS	ADDITIONAL FEATURES
∅.063 ∓ 1.070	∅.031 PIN 1.000 LONG

RESTRICTED & CONFIDENTIAL

CONFIDENTIAL PROPERTY OF DANIELS MANUFACTURING CORP. NOT TO BE DISCLOSED TO OTHERS, REPRODUCED OR USED FOR ANY OTHER PURPOSE, EXCEPT AS AUTHORIZED IN WRITING BY DANIELS MANUFACTURING. MUST BE RETURNED TO DANIELS MANUFACTURING CORP. ON COMPLETION OF ORDER OR OTHER PURPOSE FOR WHICH LENT.

DO NOT SCALE DRAWING

DRN.	J. JOYCE	DATE	6/17/03
CHK'D.	RRR	DATE	6/17/03
APP'D.		DATE	
APP'D.		DATE	

NOTE: THIS DRAWING IS AN OUTLINE DRAWING OF THE RESPECTIVE DMC PART NUMBER INDICATED. ACTUAL DMC PART NUMBER IS DRAWING NUMBER WITHOUT THE "-ENV" SUFFIX.

WHERE USED: AFM8

DMC DANIELS MANUFACTURING CORP.
ORLANDO, FLORIDA
CAGE 11851

TITLE: ENVELOPE DRAWING POSITIONER

SIZE	SCALE	CAD P/N	SHEET	OF
A	NTS	K971S-ENV	1	1
POSTING		DMG. NO.		REV.
		K971S-ENV		1