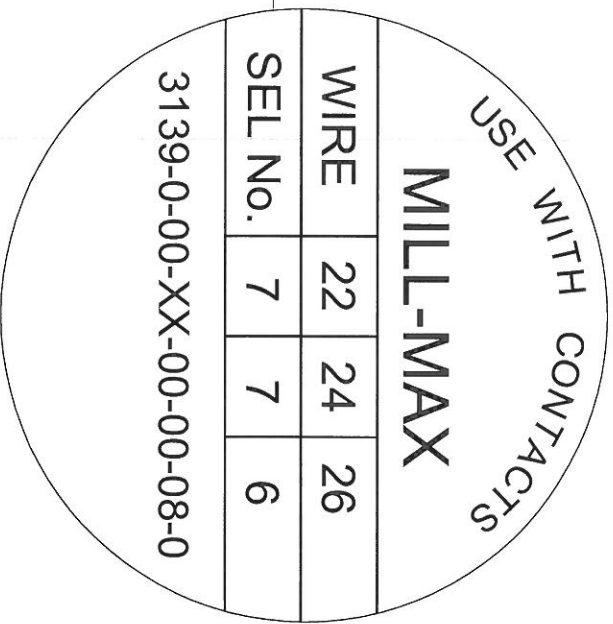
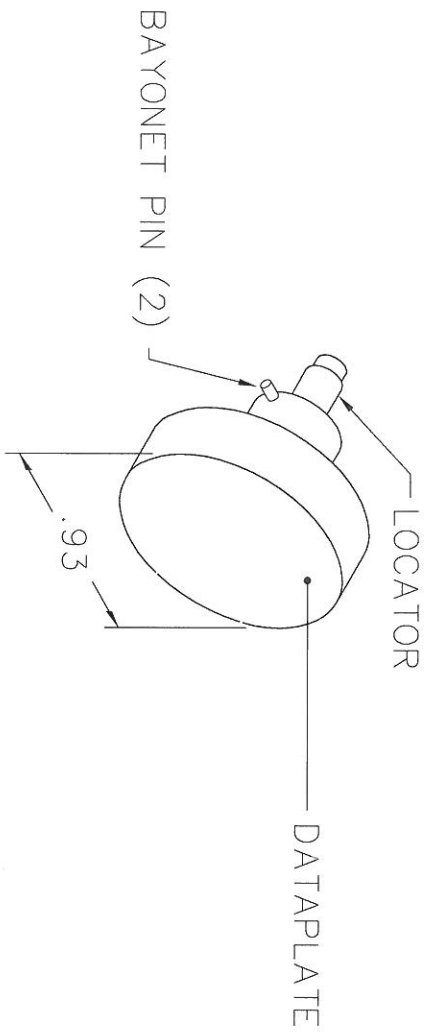
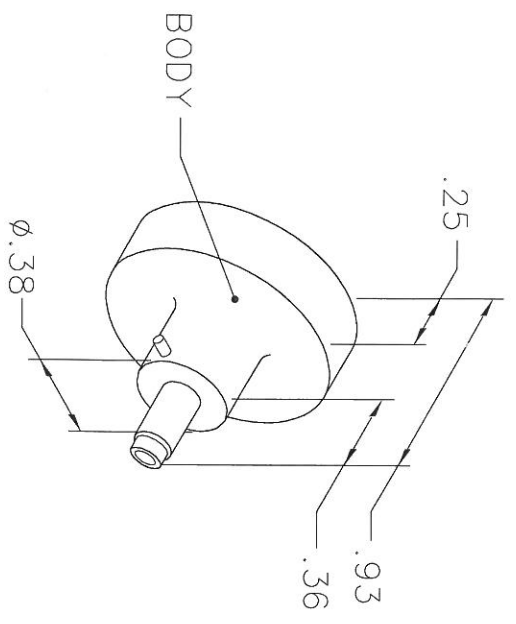


REVISIONS				
REV. SYM.	E.C.O. NUMBER	DESCRIPTION	BY DATE	APP'D DATE
1		ORIGINAL RELEASE	JWJ 10/8/04	RRR 10/8/04

**UNCONTROLLED DOCUMENT
WILL NOT BE UPDATED**

DIMENSIONS IN INCHES - UNLESS OTHERWISE SPECIFIED



LOCATOR	LOCATOR
HOLE DIMENSIONS	ADDITIONAL FEATURES
∅.055 ∓.330	└┘∅.099 ∓.065

RESTRICTED & CONFIDENTIAL

CONFIDENTIAL PROPERTY OF DANIELS MANUFACTURING CORP. NOT TO BE DISCLOSED TO OTHERS, REPRODUCED OR USED FOR ANY OTHER PURPOSE, EXCEPT AS AUTHORIZED IN WRITING BY DANIELS MANUFACTURING. MUST BE RETURNED TO DANIELS MANUFACTURING CORP. ON COMPLETION OF ORDER OR OTHER PURPOSE FOR WHICH LENT.

DO NOT SCALE DRAWING

DRN.	DATE
J. JOYCE	10/8/04
CHK'D. RRR	DATE 10/8/04
APP'D.	DATE
APP'D.	DATE

NOTE:
THIS DRAWING IS AN OUTLINE DRAWING OF THE RESPECTIVE DMC PART NUMBER INDICATED. ACTUAL DMC PART NUMBER IS DRAWING NUMBER WITHOUT THE "-ENV" SUFFIX.

Daniel's Manufacturing Corp.
ORLANDO, FLORIDA
CAGE 11851

POSITIONER ENVELOPE DRAWING

WHERE USED:	CAD P/N	SHEET	OF
AFM8	K938-ENV	1	1
POSTING	DWG. NO. K938-ENV	REV.	1