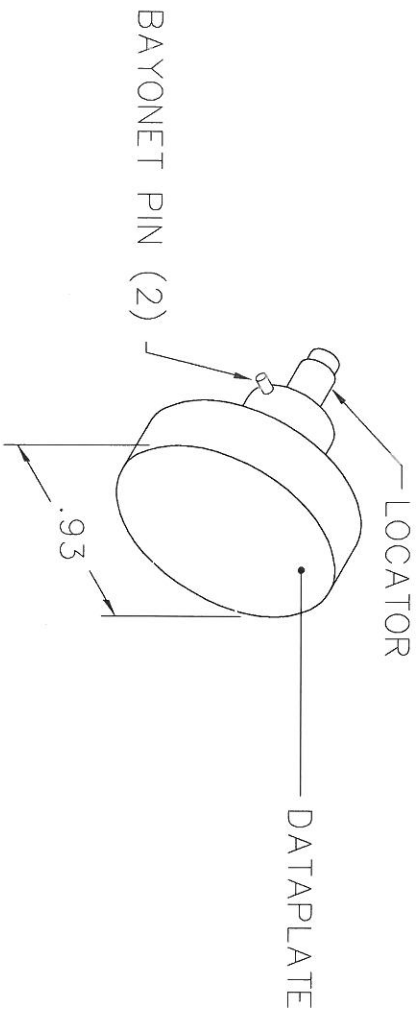
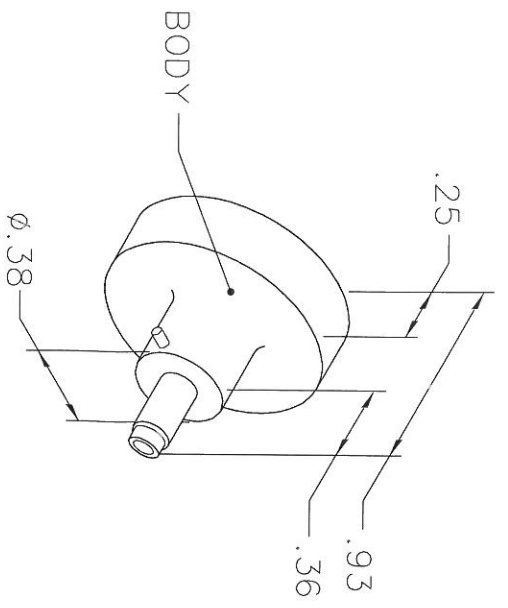


REVISIONS				
REV. SYM.	E.C.O. NUMBER	DESCRIPTION	BY DATE	APP'D DATE
1		ORIGINAL RELEASE	JWJ 10/8/04	RRR 10/8/04

**UNCONTROLLED DOCUMENT
WILL NOT BE UPDATED**

DIMENSIONS IN INCHES - UNLESS OTHERWISE SPECIFIED



USE WITH CONTACTS

MILL-MAX

WIRE	20	22	24
SEL No.	7	6	6

0348-0-33-XX-34-XX-10-0

LOCATOR	ADDITIONAL FEATURES
HOLE DIMENSIONS	
Ø.106 ±.315	

RESTRICTED & CONFIDENTIAL

CONFIDENTIAL PROPERTY OF DANIELS MANUFACTURING CORP. NOT TO BE DISCLOSED TO OTHERS, REPRODUCED OR USED FOR ANY OTHER PURPOSE, EXCEPT AS AUTHORIZED IN WRITING BY DANIELS MANUFACTURING. MUST BE RETURNED TO DANIELS MANUFACTURING CORP. ON COMPLETION OF ORDER OR OTHER PURPOSE FOR WHICH LENT.

DO NOT SCALE DRAWING

DRN.	J. JOYCE	DATE	10/8/04
CHK'D.	RRR	DATE	10/8/04
APP'D.		DATE	
APP'D.		DATE	

NOTE:
THIS DRAWING IS AN OUTLINE DRAWING OF THE RESPECTIVE DMC PART NUMBER INDICATED. ACTUAL DMC PART NUMBER IS DRAWING NUMBER WITHOUT THE "-ENV" SUFFIX.

DMC DANIELS MANUFACTURING CORP.
ORLANDO, FLORIDA
CAGE 11851

POSITIONER
ENVELOPE DRAWING

WHERE USED: AFM8

SIZE	SCALE	CAD P/N	SHEET	OF
A	NTS	K930-ENV	1	1
POSTING		DWG. NO.		REV.
		K930-ENV		1