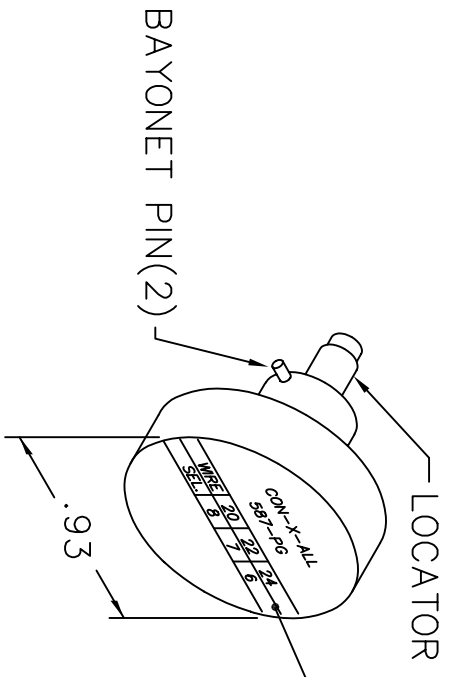
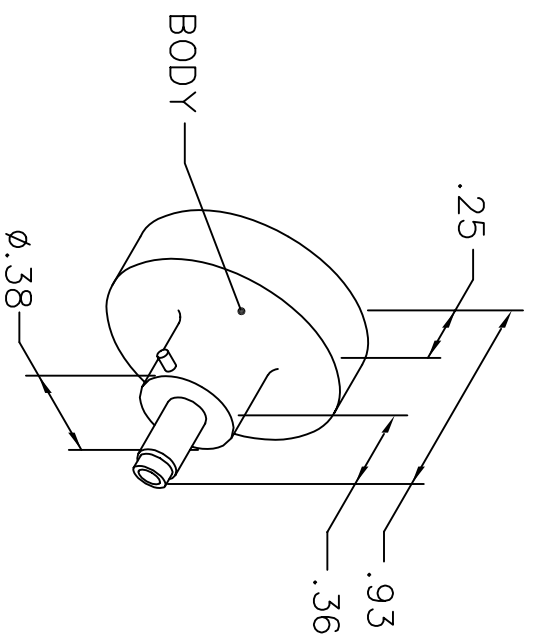


REVISIONS				
REV. SYM.	E.C.O. NUMBER	DESCRIPTION	BY DATE	APP'D DATE
1		ORIGINAL RELEASE	AAM 6-20-01	RRR 6-20-01

**UNCONTROLLED DOCUMENT  
WILL NOT BE UPDATED**



CON-X-ALL			
587-PG			
WIRE	20	22	24
SEL.	8	7	6

NOTE: FOR USE WITH DANIELS CRIMP TOOLS  
ACCOMMODATING "K" SERIES POSITIONERS

LOCATOR	
HOLE DIMENSIONS	ADDITIONAL FEATURES
∅.046 ∇.545	L ∅.081 ∇.351

**RESTRICTED & CONFIDENTIAL**

CONFIDENTIAL PROPERTY OF DANIELS MANUFACTURING CORP. NOT TO BE DISCLOSED TO OTHERS, REPRODUCED OR USED FOR ANY OTHER PURPOSE, EXCEPT AS AUTHORIZED IN WRITING BY DANIELS MANUFACTURING. MUST BE RETURNED TO DANIELS MANUFACTURING CORP. ON COMPLETION OF ORDER OR OTHER PURPOSE FOR WHICH LENT.

**DO NOT SCALE DRAWING**

DRN. A. MOO-YOUNG	DATE 6-20-01	TITLE		WHERE USED: AFM8	CAD P/N	SHEET	REV.
CHK'D. RRR	DATE 6-20-01	ENVELOPE DRAWING POSITIONER		AFM8	K911-ENV	1	1
APP'D.	DATE						
NOTE: THIS DRAWING IS AN OUTLINE DRAWING OF THE RESPECTIVE DMC PART NUMBER INDICATED. ACTUAL DMC PART NUMBER IS DRAWING NUMBER WITHOUT THE "-ENV" SUFFIX.							
DANIELS MANUFACTURING CORP. ORLANDO, FLORIDA CAGE 11851							