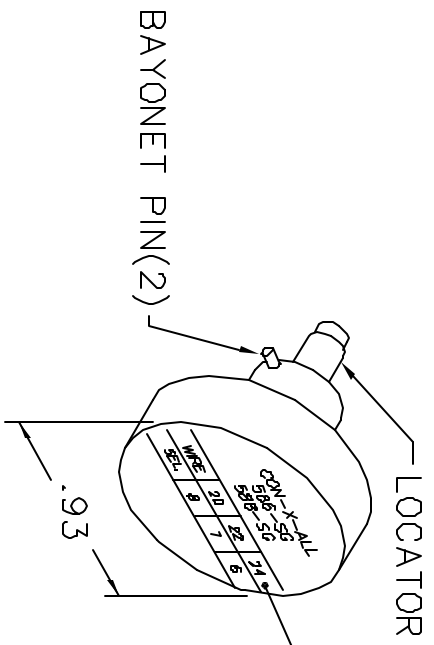
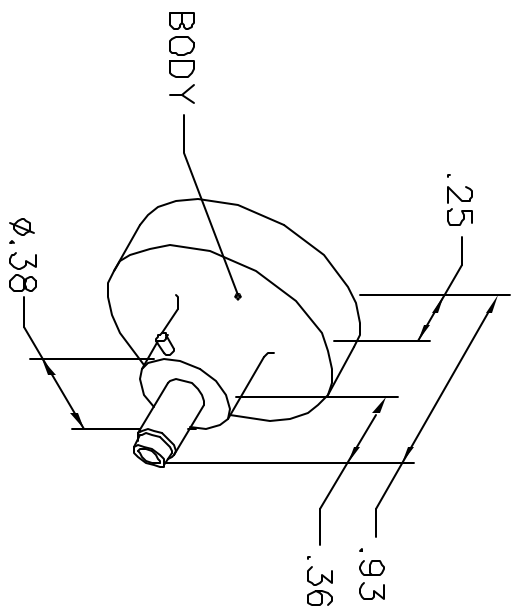


REVISIONS				
REV. SYM.	E.C.D. NUMBER	DESCRIPTION	BY DATE	APP'D DATE
1		ORIGINAL RELEASE	AAM 11-13-97	RRR 11-13-97

**UNCONTROLLED DOCUMENT  
WILL NOT BE UPDATED**



CON-X-ALL			
586-SG			
588-SG			
WIRE	20	22	24
SEL.	8	7	6

NOTE: FOR USE WITH DANIELS CRIMP TOOLS  
ACCOMMODATING "K" SERIES POSITIONERS

LOCATOR	
HOLE DIMENSIONS	ADDITIONAL FEATURES
∅.085 ∇.562	└┘ ∅.094 ∇.196

**RESTRICTED & CONFIDENTIAL**

CONFIDENTIAL PROPERTY OF DANIELS MANUFACTURING CORP. NOT TO BE DISCLOSED TO OTHERS, REPRODUCED OR USED FOR ANY OTHER PURPOSE, EXCEPT AS AUTHORIZED IN WRITING BY DANIELS MANUFACTURING. MUST BE RETURNED TO DANIELS MANUFACTURING CORP. ON COMPLETION OF ORDER OR OTHER PURPOSE FOR WHICH LENT.

DO NOT SCALE DRAWING

DRN. A. MOO-YOUNG	DATE 11-13-97
CHK'D. RRR	DATE 11-13-97
APP'D.	DATE
APP'D.	DATE

**DANIELS MANUFACTURING CORP.**  
ORLANDO, FLORIDA  
CAGE 11851

TITLE  
**ENVELOPE DRAWING  
POSITIONER**

WHERE USED: AFMB		CAD P/N		SHEET		OF	
SIZE	SCALE	K910-ENV		1	1		1
A	NTS	K910-ENV		1	1		1
POSTING		P/N	K910-ENV				REV.
							1