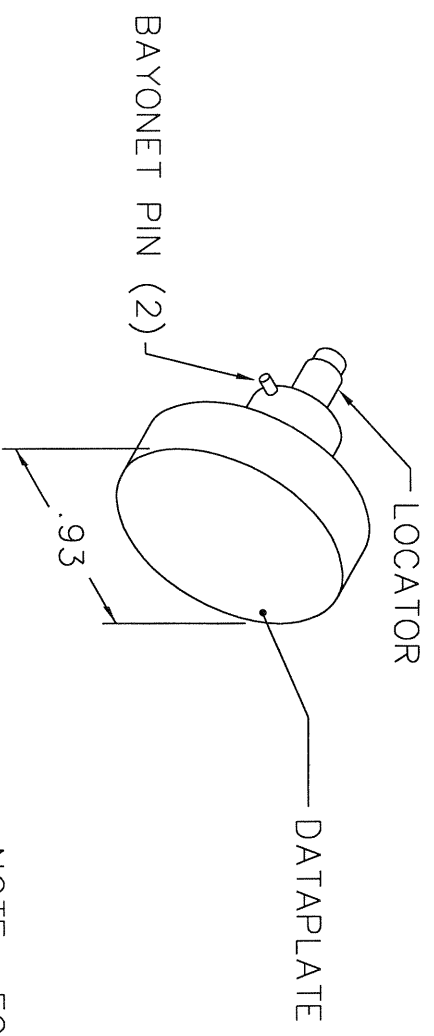
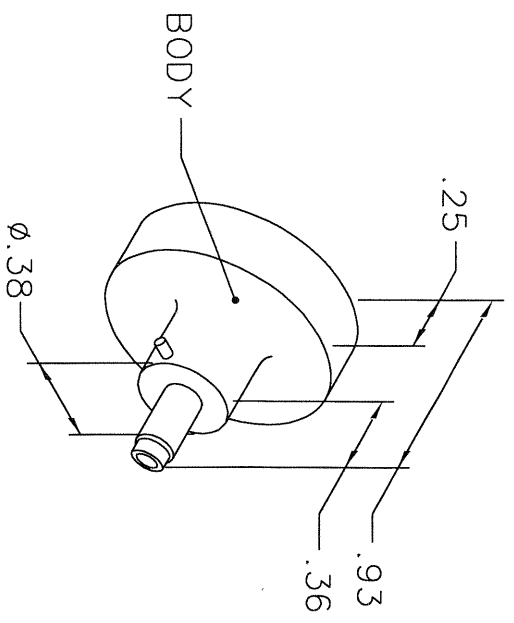


REVISIONS				
REV. SYM.	E.C.O. NUMBER	DESCRIPTION	BY DATE	APP'D DATE
1		ORIGINAL RELEASE	TD 11/29/07	

**UNCONTROLLED DOCUMENT  
WILL NOT BE UPDATED**



FRB CONNECTRON SERIE KN			
REF CONT	22	24/26	28
0060-42	5	4	3
42-0060			

NOTE: FOR USE WITH DANIELS CRIMP TOOLS  
ACCOMMODATING "K" SERIES POSITIONERS

LOCATOR	
HOLE DIMENSIONS	ADDITIONAL FEATURES
∅.043 ∇THRU	┌┐∅.096 ∇.331

**RESTRICTED & CONFIDENTIAL**

CONFIDENTIAL PROPERTY OF DANIELS MANUFACTURING CORP. NOT TO BE DISCLOSED TO OTHERS, REPRODUCED OR USED FOR ANY OTHER PURPOSE, EXCEPT AS AUTHORIZED IN WRITING. BY DANIELS MANUFACTURING, MUST BE RETURNED TO DANIELS MANUFACTURING CORP. ON COMPLETION OF ORDER OR OTHER PURPOSE FOR WHICH LENT.

DO NOT SCALE DRAWING

DRN. <i>Geny Diwanth</i>	DATE 11/29/07
CHK'D.	DATE
APP'D.	DATE
APP'D.	DATE

NOTE: THIS DRAWING IS AN OUTLINE DRAWING OF THE RESPECTIVE DMC PART NUMBER INDICATED. ACTUAL DMC PART NUMBER IS DRAWING NUMBER WITHOUT THE "-ENV" SUFFIX.

WHERE USED:		TITLE	
SIZE A	SCALE NTS	ENVELOPE DRAWING POSITIONER	
CAD P/N K895-ENV	DWG. NO. K895-ENV	DANIELS MANUFACTURING CORP. ORLANDO, FLORIDA CAGE 11851	
SHEET 1	OF 1		
REV. 1			