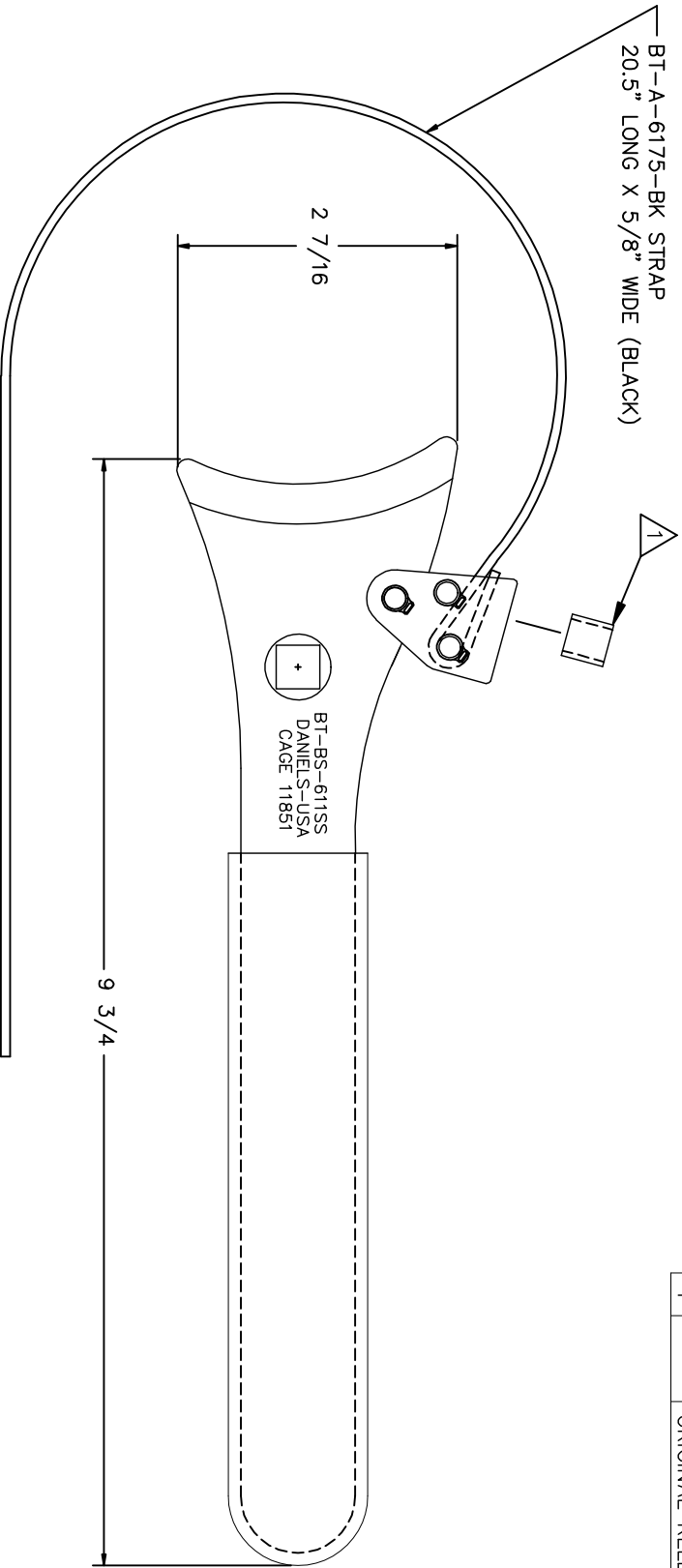


REVISIONS					
REV. SYM.	E.C.O. NUMBER	DESCRIPTION	BY DATE	APP'D DATE	REV. DATE
1		ORIGINAL RELEASE	JML 3/6/07	RRR 3/6/07	



**UNCONTROLLED DOCUMENT  
WILL NOT BE UPDATED**

⚠ TIGHTEN SET SCREW BY HAND – DO NOT OVERTIGHTEN.

NOTES:

RESTRICTED & CONFIDENTIAL		MATERIAL		ITEM	PART NO.	QTY.	DESCRIPTION/REMARKS
CONFIDENTIAL PROPERTY OF DANIELS MANUFACTURING CORP. NOT TO BE DISCLOSED TO OTHERS. REPRODUCED EXCEPT AS AUTHORIZED IN WRITING BY DANIELS MANUFACTURING. MUST BE RETURNED TO DANIELS MANUFACTURING CORP. ON COMPLETION OF ORDER WHICH PURPOSE FOR WHICH INT.		HEAT TREAT		DRAWN BY: J. JOYCE	DATE: 3/6/07		DANIELS MANUFACTURING CORP. ORLANDO, FLORIDA CAGE 11851
		FINISH		APP'D BY: RRR	DATE: 3/6/07		
DO NOT SCALE DRAWING		NOTE:		THIS DRAWING IS AN OUTLINE DRAWING OF THE RESPECTIVE DIM PART NUMBER. THE PART NUMBER OF THIS DRAWING NUMBER WITHOUT THE "-ENV" SUFFIX.		WHERE USED:	CAO P/N
						SCALE: B	BT-BS-611SS-ENV
						POSTING: NTS	SHEET 1 OF 1
							REV. 1
							REV. 1

STRAP WRENCH  
ENVELOPE DRAWING