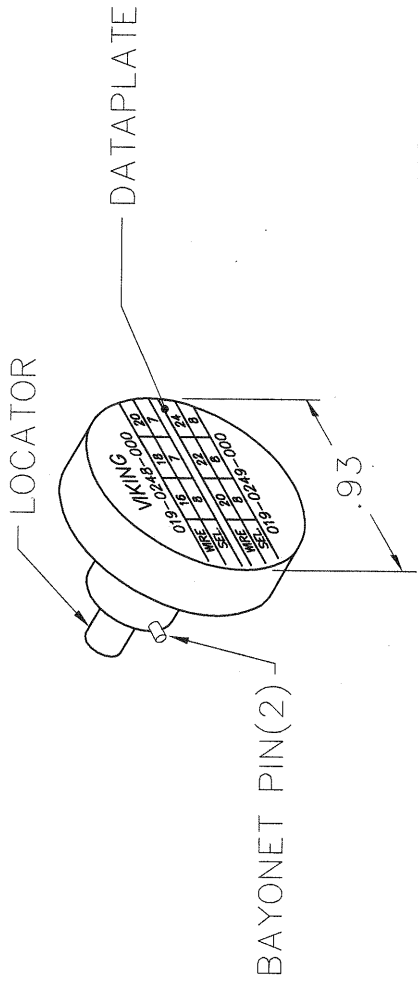
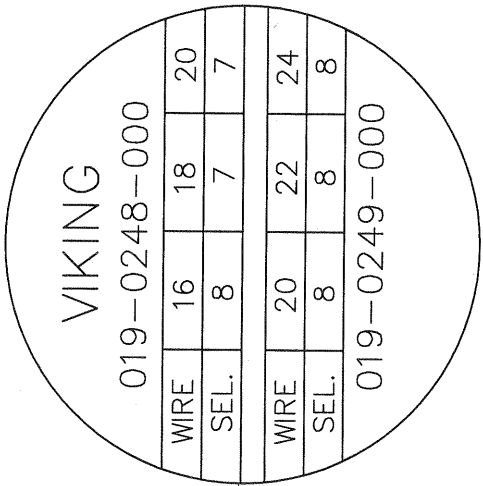
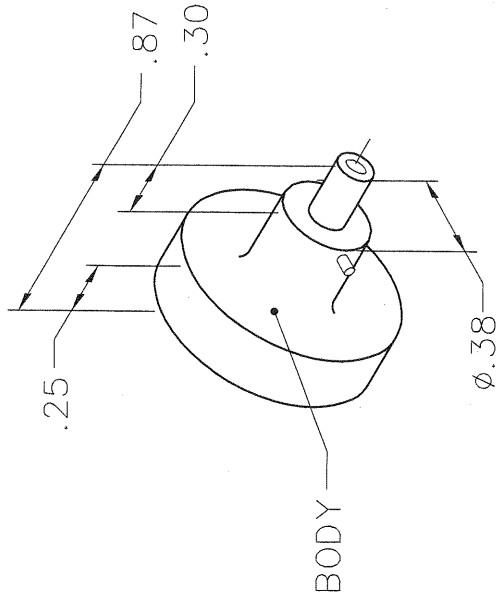


REVISIONS			
REV. SYM.	E.C.O. NUMBER	DESCRIPTION	APP'D DATE
1		ORIGINAL RELEASE	RRR 3-23-00
			RRR 3-23-00



NOTE: FOR USE WITH DANIELS CRIMP TOOL, AFM8.

LOCATOR	ADDITIONAL FEATURES
Ø.116	
↕ .396	

**RESTRICTED & CONFIDENTIAL**

CONFIDENTIAL PROPERTY OF DANIELS MANUFACTURING CORP. NOT TO BE DISCLOSED TO OTHERS, REPRODUCED OR USED FOR ANY OTHER PURPOSE, EXCEPT AS AUTHORIZED IN WRITING BY DANIELS MANUFACTURING. MUST BE RETURNED TO DANIELS MANUFACTURING CORP. ON COMPLETION OF ORDER OR OTHER PURPOSE FOR WHICH LENT.

**DO NOT SCALE DRAWING**

DRN. A. MOO-YOUNG	DATE 3-23-00
CHK'D. RRR	DATE 3-23-00
APP'D.	DATE
APP'D.	DATE

NOTE:  
THIS DRAWING IS AN OUTLINE DRAWING OF THE RESPECTIVE DMC PART NUMBER INDICATED. ACTUAL DMC PART NUMBER IS DRAWING NUMBER WITHOUT THE "-ENV" SUFFIX.

		DANIELS MANUFACTURING CORP. ORLANDO, FLORIDA CAGE 11851	
TITLE		ENVELOPE DRAWING POSITIONER	
WHERE USED: AFM8	SIZE A	SCALE NONE	CAD P/N K866-ENV
POSTING	DWG. NO. K866-ENV	SHEET 1	OF 1
		REV. 1	REV. 1