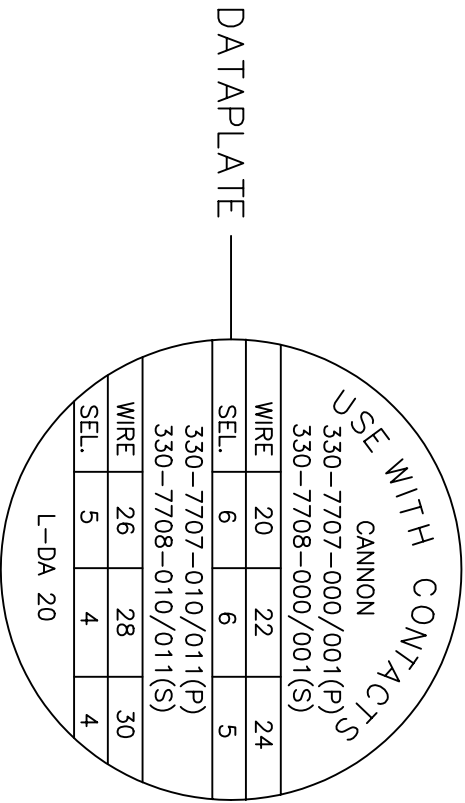
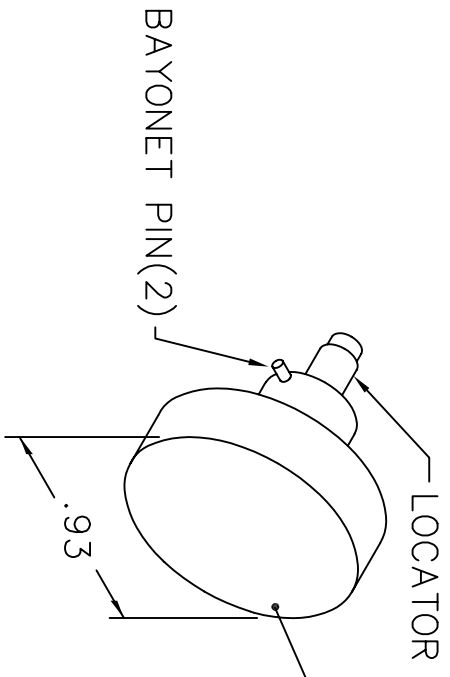
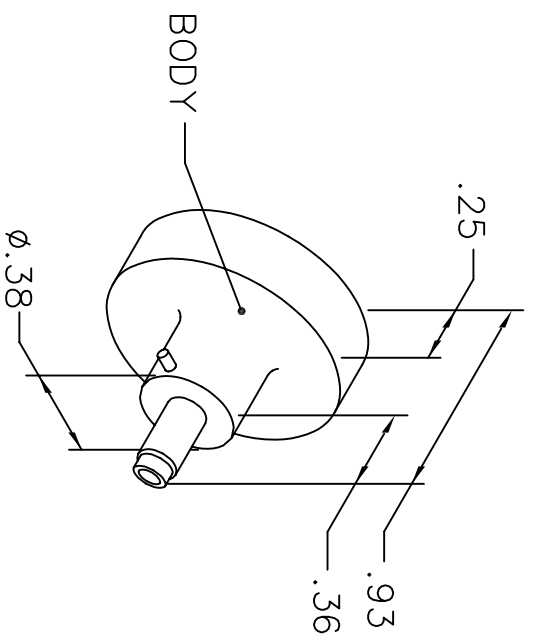


REVISIONS				
REV. SYM.	E.C.O. NUMBER	DESCRIPTION	BY DATE	APP'D DATE
1		ORIGINAL RELEASE	JMC 8-13-03	JWJ 8-13-03

**UNCONTROLLED DOCUMENT
WILL NOT BE UPDATED**



NOTE: FOR USE WITH DANIELS CRIMP TOOLS
ACCOMMODATING "K" SERIES POSITIONERS

LOCATOR	
HOLE DIMENSIONS	ADDITIONAL FEATURES
$\phi .043$ $\nabla .451$	$\sqcup \phi .089$ $\nabla .439$

RESTRICTED & CONFIDENTIAL

CONFIDENTIAL PROPERTY OF DANIELS MANUFACTURING CORP. NOT TO BE DISCLOSED TO OTHERS, REPRODUCED OR USED FOR ANY OTHER PURPOSE, EXCEPT AS AUTHORIZED IN WRITING BY DANIELS MANUFACTURING. MUST BE RETURNED TO DANIELS MANUFACTURING CORP. ON COMPLETION OF ORDER OR OTHER PURPOSE FOR WHICH LENT.

DO NOT SCALE DRAWING

DRN. JMC	DATE 8-13-03	DMC DANIELS MANUFACTURING CORP. ORLANDO, FLORIDA CAGE 11851	TITLE POSITIONER ENVELOPE DRAWING			
CHK'D. JWJ	DATE 8-13-03					
APP'D.	DATE					
NOTE: THIS DRAWING IS AN OUTLINE DRAWING OF THE RESPECTIVE DMC PART NUMBER INDICATED. ACTUAL DMC PART NUMBER IS DRAWING NUMBER WITHOUT THE "-ENV" SUFFIX.		WHERE USED: AFM8	POSITIONING			
		SIZE A	SCALE NTS	CAD P/N K859-ENV	SHEET 1 OF 1	REV. 1
		POSTING		DWG. NO. K859-ENV		