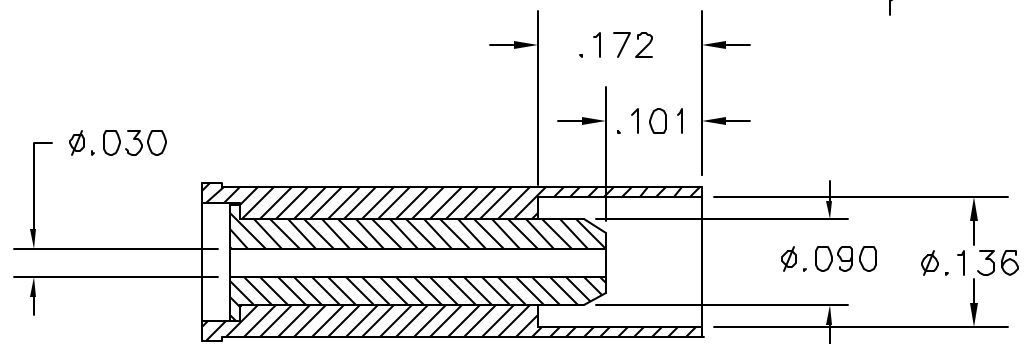
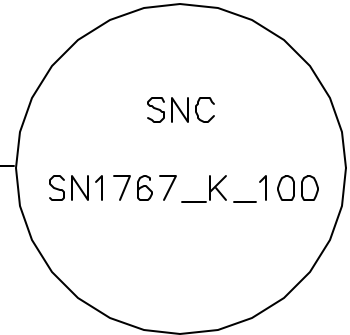
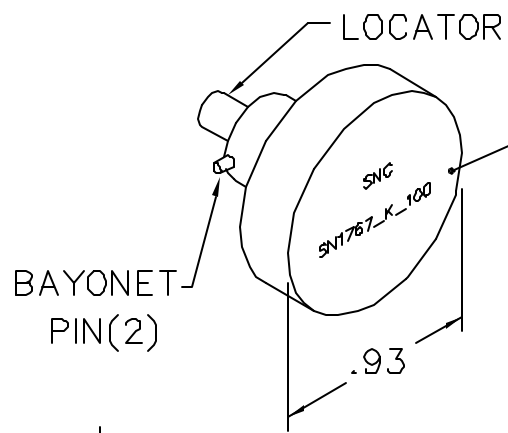
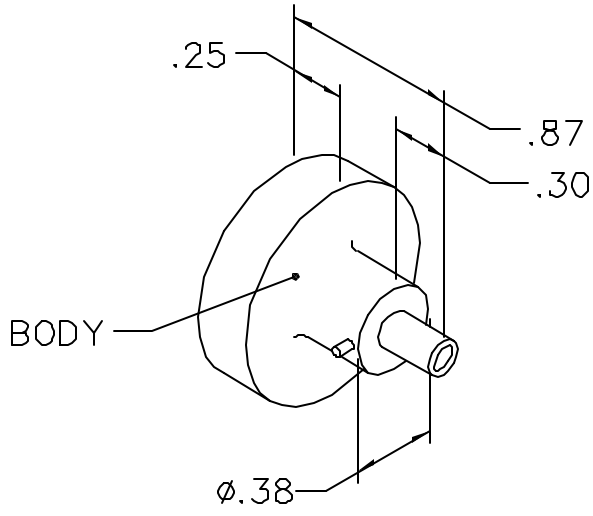


REVISIONS				
REV. SYM.	E.C.O. NUMBER	DESCRIPTION	BY DATE	APP'D DATE
1		ORIGINAL RELEASE	AAM 10-13-00	RRR 10-13-00



LOCATOR

**UNCONTROLLED DOCUMENT  
WILL NOT BE UPDATED**

1. FOR USE WITH DANIELS CRIMP TOOLS ACCOMMODATING "K" SERIES POSITIONERS.

NOTES:

**RESTRICTED & CONFIDENTIAL**

CONFIDENTIAL PROPERTY OF DANIELS MANUFACTURING CORP. NOT TO BE DISCLOSED TO OTHERS, REPRODUCED OR USED FOR ANY OTHER PURPOSE, EXCEPT AS AUTHORIZED IN WRITING BY DANIELS MANUFACTURING. MUST BE RETURNED TO DANIELS MANUFACTURING CORP. ON COMPLETION OF ORDER OR OTHER PURPOSE FOR WHICH LENT.

DO NOT SCALE DRAWING

DRN. A. MOO-YOUNG	DATE 10-13-00
CHK'D. RRR	DATE 10-13-00
APP'D.	DATE
APP'D.	DATE

**DMC** DANIELS MANUFACTURING CORP.  
ORLANDO, FLORIDA  
CAGE 11851

TITLE  
**ENVELOPE DRAWING  
POSITIONER**

WHERE USED: AFM8

SIZE A	SCALE NTS	CAD P/N K846S-ENV	SHEET OF 1 1
POSTING	P/N K846S-ENV	REV. 1	