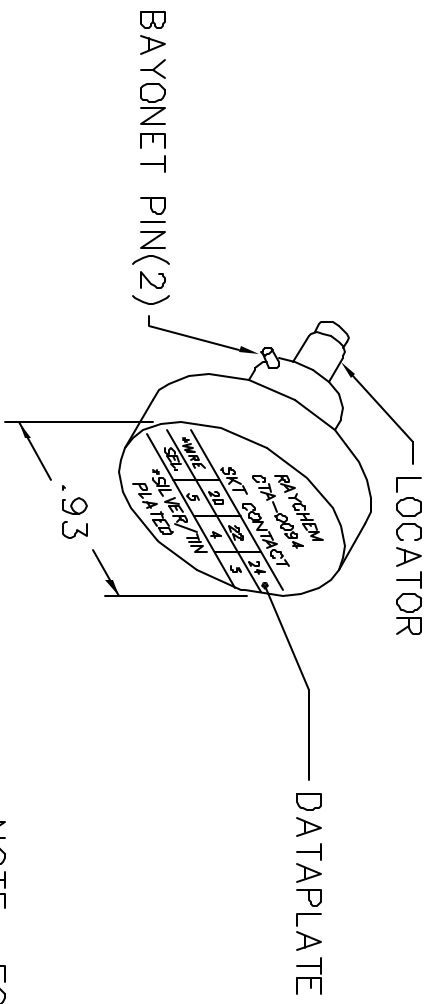
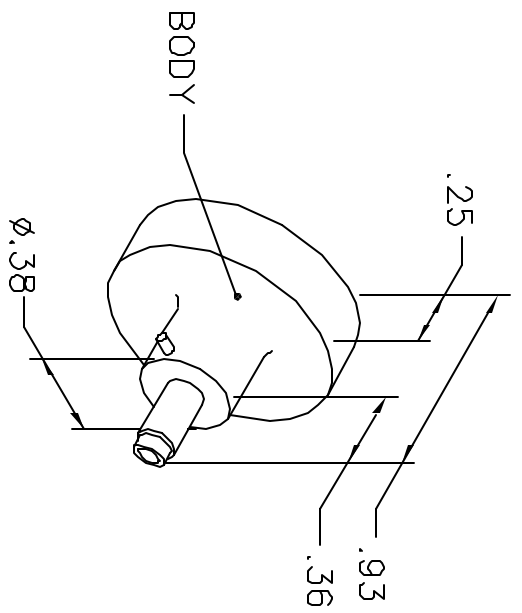


REVISIONS				
REV. SYM.	E.C.D. NUMBER	DESCRIPTION	BY DATE	APP'D DATE
1		ORIGINAL RELEASE	AAM 7-10-98	RRR 7-10-98

**UNCONTROLLED DOCUMENT
WILL NOT BE UPDATED**



RAYCHEM CTA-0094 SKT CONTACT			
*WIRE	20	22	24
SEL.	5	4	3
*SILVER/TIN PLATED			

NOTE: FOR USE WITH DANIELS CRIMP TOOLS
ACCOMMODATING "K" SERIES POSITIONERS

LOCATOR	
HOLE DIMENSIONS	ADDITIONAL FEATURES
Ø.081 ▽.440	

RESTRICTED & CONFIDENTIAL

CONFIDENTIAL PROPERTY OF DANIELS MANUFACTURING CORP. NOT TO BE DISCLOSED TO OTHERS, REPRODUCED OR USED FOR ANY OTHER PURPOSE, EXCEPT AS AUTHORIZED IN WRITING BY DANIELS MANUFACTURING. MUST BE RETURNED TO DANIELS MANUFACTURING CORP. ON COMPLETION OF ORDER OR OTHER PURPOSE FOR WHICH LENT.

DO NOT SCALE DRAWING

DRN. A. MOO-YOUNG	DATE 7-10-98	DMC DANIELS MANUFACTURING CORP. ORLANDO, FLORIDA CAGE 11851	ENVELOPE DRAWING POSITIONER
CHK'D. RRR	DATE 7-10-98		
APP'D. DATE	DATE		
NOTE: THIS DRAWING IS AN OUTLINE DRAWING OF THE RESPECTIVE DMC PART NUMBER INDICATED. ACTUAL DMC PART NUMBER IS DRAWING NUMBER WITHOUT THE "-ENV" SUFFIX.		WHERE USED:	
SIZE A	SCALE NTS	CAD P/N K818-2-ENV	SHEET 1 OF 1
POSTING	DWG. NO. K818-2-ENV	REV. 1	