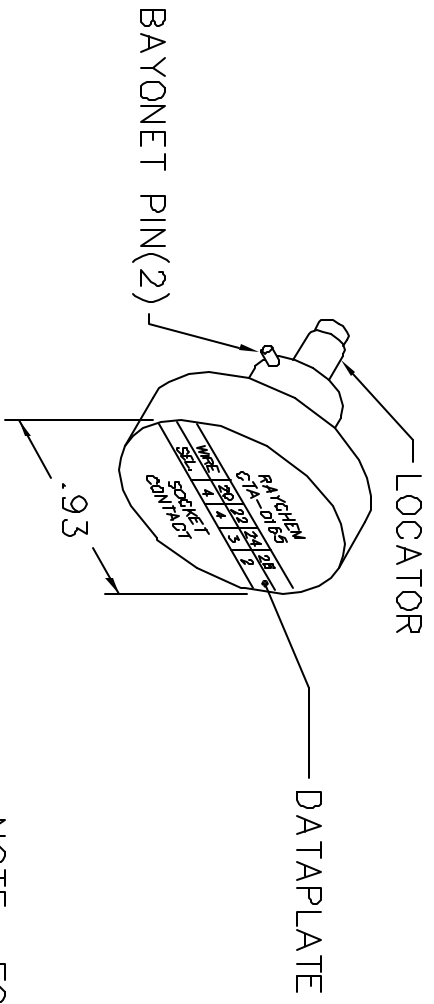
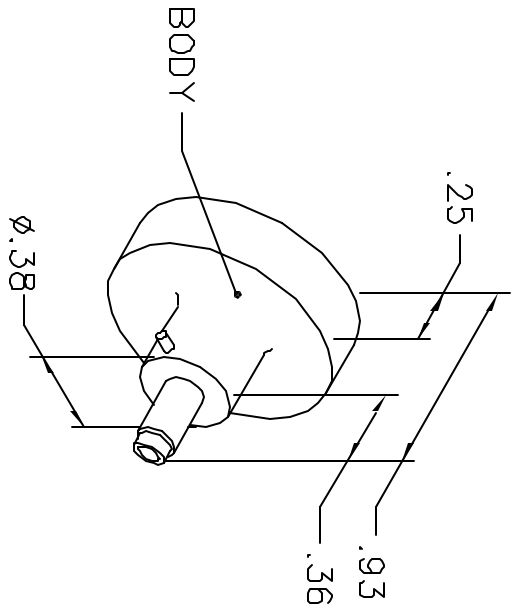


REVISIONS				
REV. SYM.	E.C.O. NUMBER	DESCRIPTION	BY DATE	APP'D DATE
1		ORIGINAL RELEASE	AAM 6-6-00	RRR 8-8-00

**UNCONTROLLED DOCUMENT  
WILL NOT BE UPDATED**



RAYCHEM CTA-0165					
WIRE	20	22	24	26	
SEL.	4	4	3	2	
SOCKET CONTACT					

NOTE: FOR USE WITH DANIELS CRIMP TOOLS  
ACCOMMODATING "K" SERIES POSITIONERS

LOCATOR	ADDITIONAL FEATURES
HOLE DIMENSIONS	
$\phi .081$ $\nabla .440$	

**RESTRICTED & CONFIDENTIAL**

CONFIDENTIAL PROPERTY OF DANIELS MANUFACTURING CORP. NOT TO BE DISCLOSED TO OTHERS, REPRODUCED OR USED FOR ANY OTHER PURPOSE, EXCEPT AS AUTHORIZED IN WRITING BY DANIELS MANUFACTURING. MUST BE RETURNED TO DANIELS MANUFACTURING CORP. ON COMPLETION OF ORDER OR OTHER PURPOSE FOR WHICH LENT.

DO NOT SCALE DRAWING

DRN. A. MOO-YOUNG	DATE 6-6-00
CHKD. RRR	DATE 6-6-00
APP'D.	DATE
APP'D.	DATE

**DMO** DANIELS MANUFACTURING CORP.  
ORLANDO, FLORIDA  
CAGE 11851

TITLE  
ENVELOPE DRAWING  
POSITIONER

WHERE USED: AFMB			
SIZE A	SCALE NTS	CAD P/N K818-1-ENV	SHEET 1 OF 1
POSTING		P/N K818-1-ENV	REV. 1