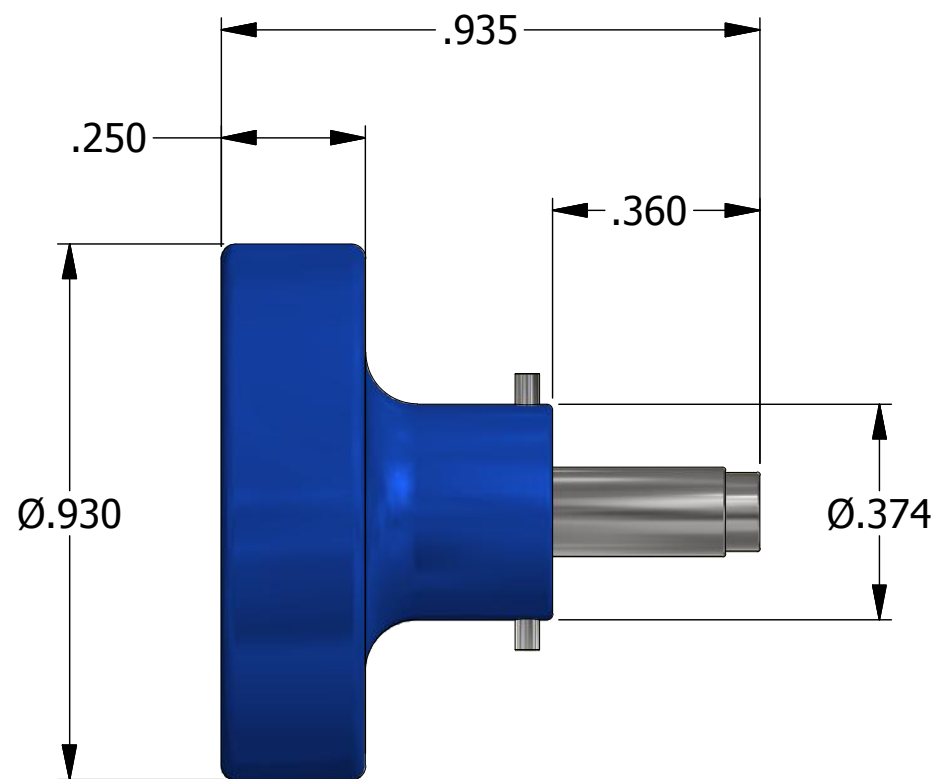
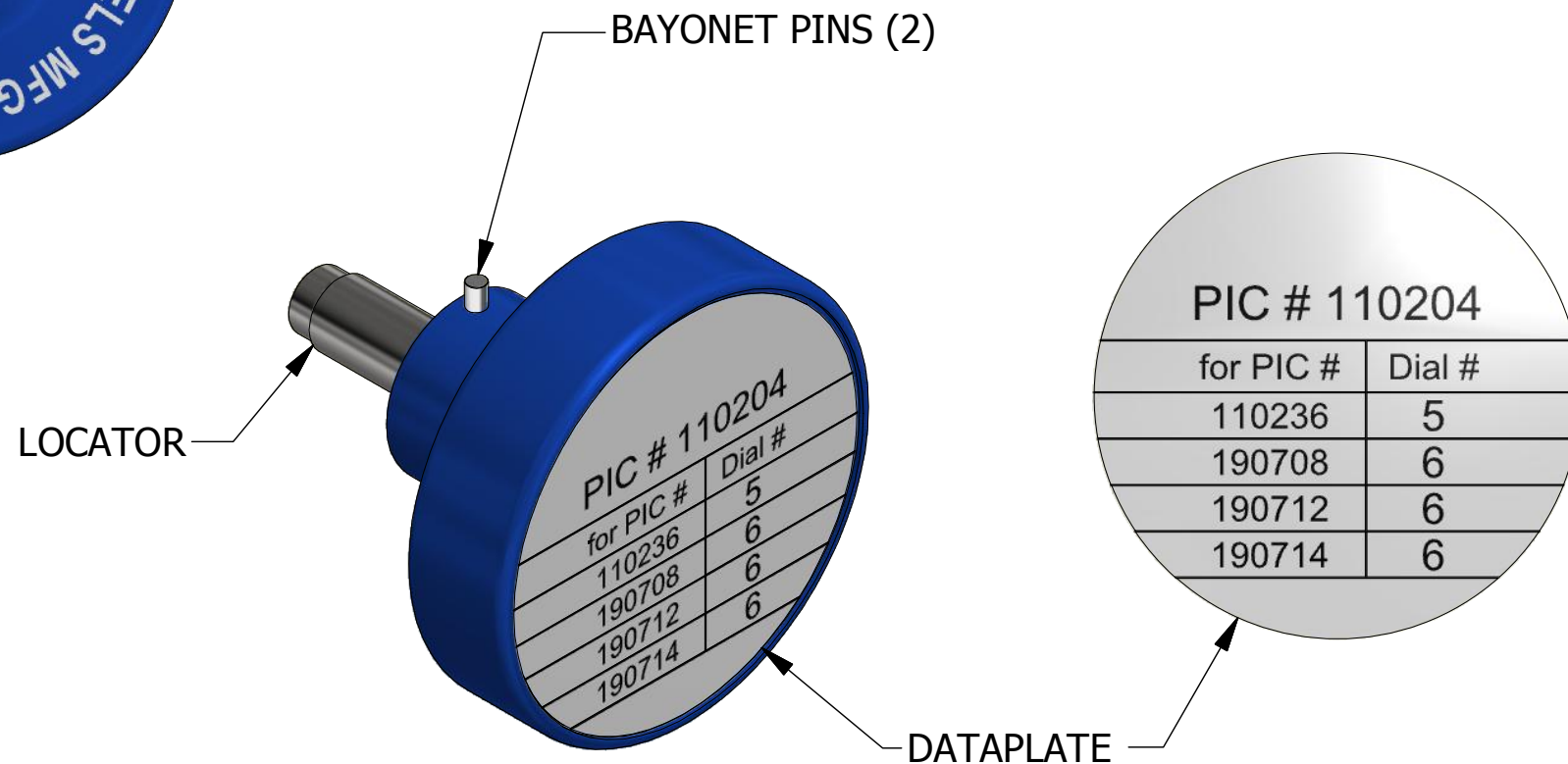


REVISIONS						
REV	ECO NO.	DESCRIPTION	BY	DATE	APP'D BY	DATE
1		ORIGINAL RELEASE	JWJ	7/11/2005	RRR	7/11/2005
2	24056	REVISED DATAPLATE	TonyD	11/18/2015		



**UNCONTROLLED DOCUMENT
WILL NOT BE UPDATED**
DIMENSIONS IN INCHES - UNLESS OTHERWISE SPECIFIED



LOCATOR	
HOLE DIMENSIONS	ADDITIONAL FEATURES
Ø.057 ▽.359	└┘Ø.081 ▽.150

MATERIAL	ITEM	PART NO.	QTY.	DESCRIPTION / REMARKS
N/A	DRN. A. MOO-YOUNG CHK'D. DATE	DATE 3/10/2005		DMC DANIELS MANUFACTURING CORP. ORLANDO, FLORIDA CAGE 11851
RESTRICTED & CONFIDENTIAL CONFIDENTIAL PROPERTY OF DANIELS MANUFACTURING CORP. NOT TO BE DISCLOSED TO OTHERS. REPRODUCTION OR USED FOR ANY OTHER PURPOSE EXCEPT AS AUTHORIZED IN WRITING BY DANIELS MANUFACTURING. MUST BE RETURNED TO DANIELS MANUFACTURING CORP. ON COMPLETION OF ORDER OR PURPOSES FOR WHICH LENT.		HEAT TREAT		N/A
CREATED FROM AN INVENTOR MODEL. CHANGES MUST BE REFLECTED IN THE 3D PART		FINISH		N/A
DO NOT SCALE DRAWING				
NOTE: THIS DRAWING IS AN OUTLINE DRAWING OF THE RESPECTIVE DMC PART NUMBER INDICATED. ACTUAL DMC PART NUMBER IS CAD PART NUMBER WITHOUT THE "-ENV" SUFFIX		TITLE		POSITIONER ENVELOPE DRAWING
		WHERE USED:		AFM8
		SIZE	SCALE	CAD P/N
		B	3 : 1	K817-3-ENV
		DWG. NO.		K817-3
		SHEET		1 OF 1
		REV.		2