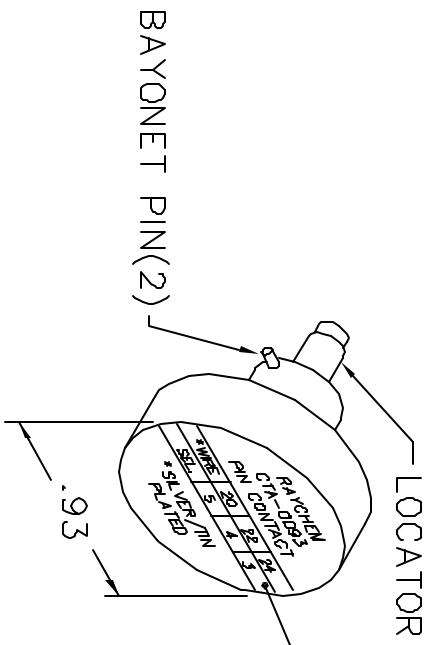
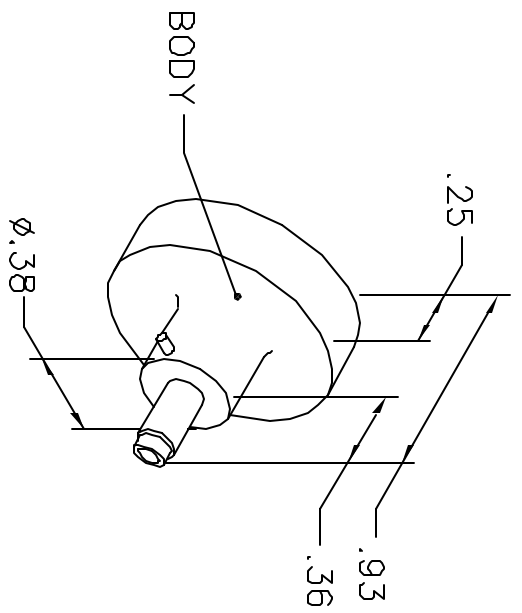


REVISIONS				
REV. SYM.	E.C.D. NUMBER	DESCRIPTION	BY DATE	APP'D DATE
1		ORIGINAL RELEASE	JMU 6-20-00	RRR 8-20-00

**UNCONTROLLED DOCUMENT
WILL NOT BE UPDATED**



RAYCHEM CTA-0093 PIN CONTACT			
* WIRE	20	22	24
SEL.	5	4	3
* SILVER/TIN PLATED			

NOTE: FOR USE WITH DANIELS CRIMP TOOLS
ACCOMMODATING "K" SERIES POSITIONERS

LOCATOR	
HOLE DIMENSIONS	ADDITIONAL FEATURES
∅.052 ∇.359	┌┐ ∅.081 ∇.139

RESTRICTED & CONFIDENTIAL

CONFIDENTIAL PROPERTY OF DANIELS MANUFACTURING CORP. NOT TO BE DISCLOSED TO OTHERS, REPRODUCED OR USED FOR ANY OTHER PURPOSE, EXCEPT AS AUTHORIZED IN WRITING BY DANIELS MANUFACTURING. MUST BE RETURNED TO DANIELS MANUFACTURING CORP. ON COMPLETION OF ORDER OR OTHER PURPOSE FOR WHICH LENT.

DO NOT SCALE DRAWING

DRN. J. JOYCE	DATE 6-20-00	DMC DANIELS MANUFACTURING CORP. ORLANDO, FLORIDA CAGE 11851		
CHK'D. RRR	DATE 6-20-00			
APP'D.	DATE	ENVELOPE DRAWING POSITIONER		
APP'D.	DATE			
NOTE: THIS DRAWING IS AN OUTLINE DRAWING OF THE RESPECTIVE DMG PART NUMBER INDICATED. ACTUAL DMG PART NUMBER IS DRAWING NUMBER WITHOUT THE "-ENV" SUFFIX.		WHERE USED: AFMB	CAD P/N K817-2-ENV	SHEET 1 OF 1
TITLE		POSTING	DWG. NO. K817-2-ENV	REV. 1