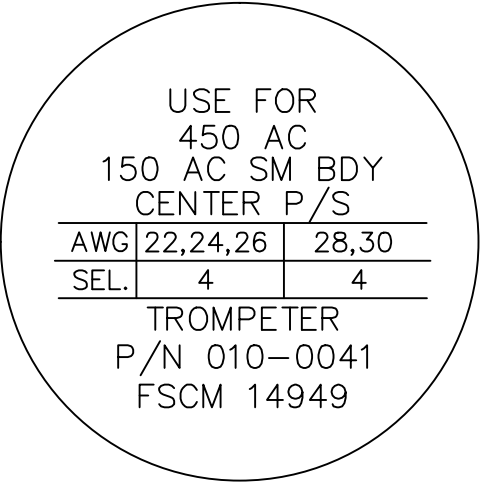
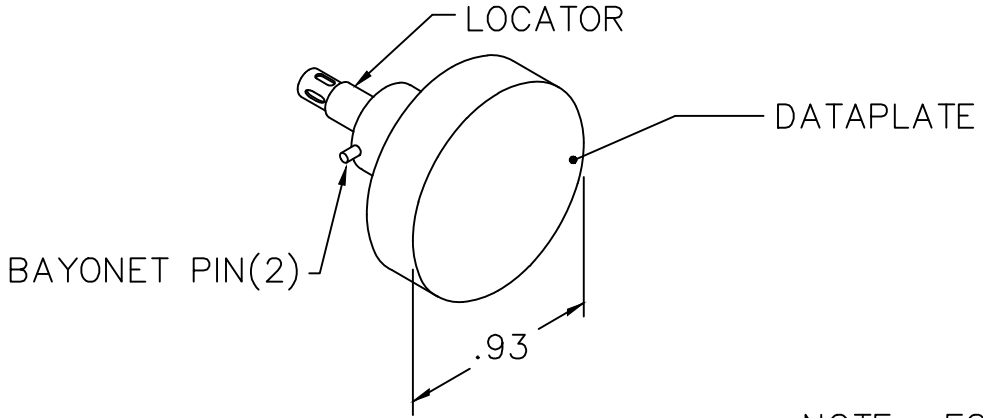
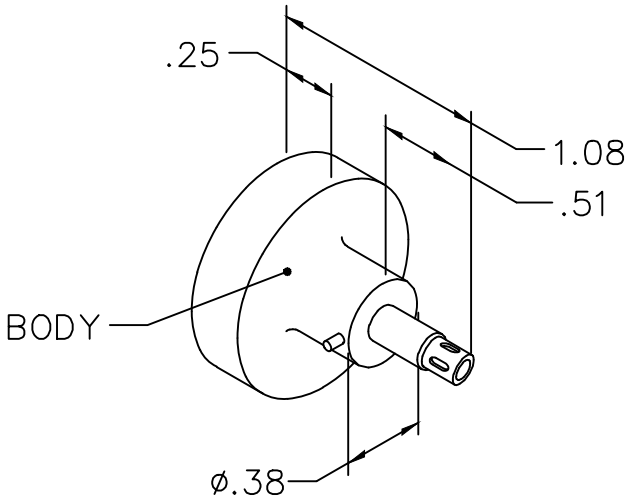


REVISIONS				
REV. SYM.	E.C.O. NUMBER	DESCRIPTION	BY DATE	APP'D DATE
2		UPDATED DATAPLATE	ENF 10-4-12	RRR 10-4-12



NOTE: FOR USE WITH DANIELS CRIMP TOOL PART NUMBER AFM8.

LOCATOR	
HOLE DIMENSIONS	ADDITIONAL FEATURES
ø.053 ▽.650	└┘ ø.104 ▽.065

RESTRICTED & CONFIDENTIAL

CONFIDENTIAL PROPERTY OF DANIELS MANUFACTURING CORP. NOT TO BE DISCLOSED TO OTHERS, REPRODUCED OR USED FOR ANY OTHER PURPOSE, EXCEPT AS AUTHORIZED IN WRITING BY DANIELS MANUFACTURING. MUST BE RETURNED TO DANIELS MANUFACTURING CORP. ON COMPLETION OF ORDER OR OTHER PURPOSE FOR WHICH LENT.

DO NOT SCALE DRAWING

DRN. A. MOO-YOUNG	DATE 8-10-99
CHK'D. RRR	DATE 8-10-99
APP'D.	DATE
APP'D.	DATE

NOTE:
THIS DRAWING IS AN OUTLINE DRAWING OF THE RESPECTIVE DMC PART NUMBER INDICATED. ACTUAL DMC PART NUMBER IS DRAWING NUMBER WITHOUT THE "-ENV" SUFFIX.

DMC DANIELS MANUFACTURING CORP.
ORLANDO, FLORIDA
CAGE 11851

TITLE: ENVELOPE DRAWING POSITIONER

WHERE USED: AFM8

SIZE A	SCALE NTS	CAD P/N K815S-ENV	SHEET 1	OF 1
POSTING	DWG. NO. K815S-ENV	REV. 2		