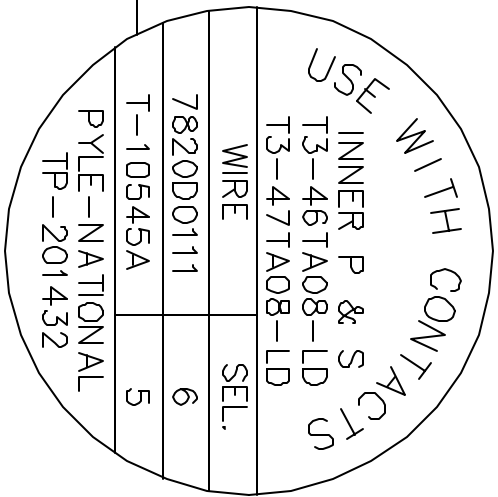
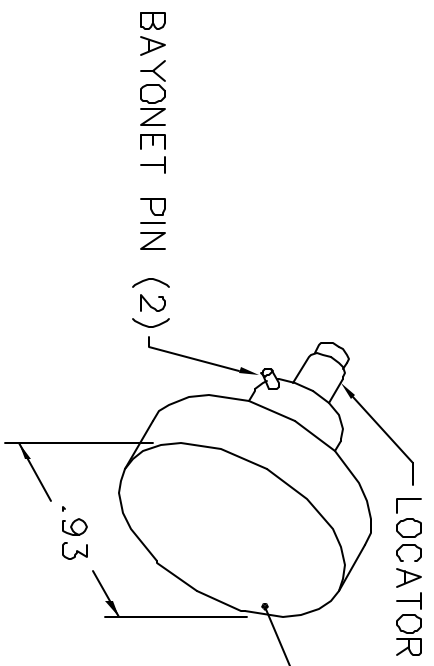
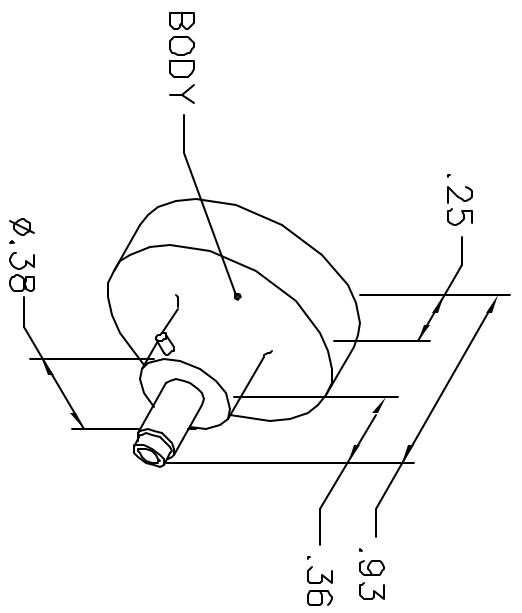


REVISIONS				
REV. SYM.	E.C.D. NUMBER	DESCRIPTION	BY DATE	APP'D DATE
1		ORIGINAL RELEASE	JML 5/6/09	RRR 5/6/05

**UNCONTROLLED DOCUMENT  
WILL NOT BE UPDATED**



NOTE: FOR USE WITH DANIELS CRIMP TOOLS  
ACCOMMODATING "K" SERIES POSITIONERS

LOCATOR	
HOLE DIMENSIONS	ADDITIONAL FEATURES
Ø.052 ▽.58 MIN.	┌┐ Ø.074 ▽.090

**RESTRICTED & CONFIDENTIAL**

CONFIDENTIAL PROPERTY OF DANIELS MANUFACTURING CORP. NOT TO BE DISCLOSED TO OTHERS, REPRODUCED OR USED FOR ANY OTHER PURPOSE, EXCEPT AS AUTHORIZED IN WRITING BY DANIELS MANUFACTURING. MUST BE RETURNED TO DANIELS MANUFACTURING CORP. ON COMPLETION OF ORDER OR OTHER PURPOSE FOR WHICH LENT.

DO NOT SCALE DRAWING

DRN.	J. JOYCE	DATE	5/6/05	<p style="text-align: center;">NOTE: THIS DRAWING IS AN OUTLINE DRAWING OF THE RESPECTIVE DMC PART NUMBER INDICATED. ACTUAL DMC PART NUMBER IS DRAWING NUMBER WITHOUT THE "-ENV" SUFFIX.</p>
CHK'D.	RRR	DATE	5/6/05	
APP'D.		DATE		
TITLE		<p style="text-align: center;">ENVELOPE DRAWING POSITIONER</p>		
WHERE USED:		<p>ATMB CAD P/N K809-ENV</p>		
POSTING	SIZE	SCALE	CAD P/N	DWG. NO.
	A	NTS	K809-ENV	K809-ENV
			SHEET 1	OF 1
			REV. 1	1



DANIELS MANUFACTURING CORP.  
ORLANDO, FLORIDA  
CAGE 11851