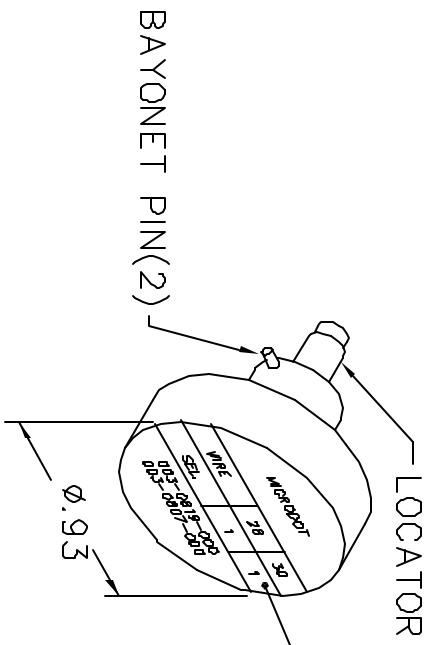
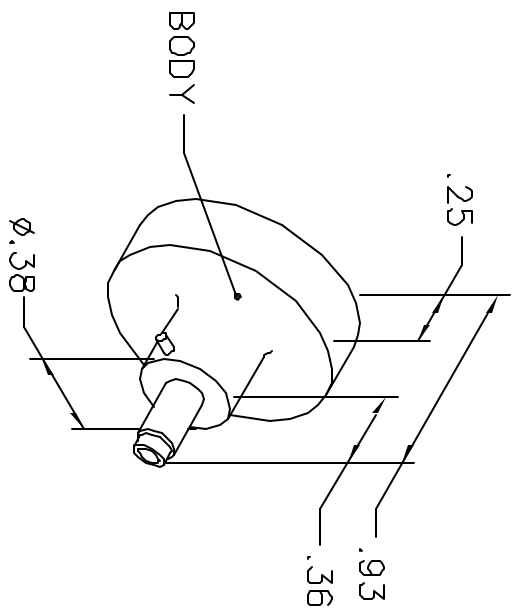


REVISIONS				
REV. SYM.	E.C.I.D. NUMBER	DESCRIPTION	BY DATE	APP'D DATE
1		ORIGINAL RELEASE	LW 2/21/91	PD 2/21/91

**UNCONTROLLED DOCUMENT  
WILL NOT BE UPDATED**



MICRODOT		
WIRE	28	30
SEL.	2	2
003-0819-0002		
003-0807-0002		

NOTE: FOR USE WITH DANIELS CRIMP TOOLS  
ACCOMMODATING "K" SERIES POSITIONERS.

LOCATOR	
HOLE DIMENSIONS	ADDITIONAL FEATURES
∅.040 ∓ .208	L ∅.059 ∓ .155

**RESTRICTED & CONFIDENTIAL**

CONFIDENTIAL PROPERTY OF DANIELS MANUFACTURING CORP. NOT TO BE DISCLOSED TO OTHERS, REPRODUCED OR USED FOR ANY OTHER PURPOSE, EXCEPT AS AUTHORIZED IN WRITING BY DANIELS MANUFACTURING. MUST BE RETURNED TO DANIELS MANUFACTURING CORP. ON COMPLETION OF ORDER OR OTHER PURPOSE FOR WHICH LENT.

DO NOT SCALE DRAWING

DRN.	LW	DATE
CHK'D.	PD	DATE
APP'D.	AAM	DATE
APP'D.	JWV	DATE

**DANIELS MANUFACTURING CORP.**  
ORLANDO, FLORIDA  
CAGE 11851

TITLE  
POSITIONER  
ENVELOPE DRAWING

WHERE USED: AFM8

SIZE	SCALE	CAD P/N	SHEET	OF
A	NTS	K79-ENV	1	1
POSTING		P/N	REV.	
		K79-ENV	1	