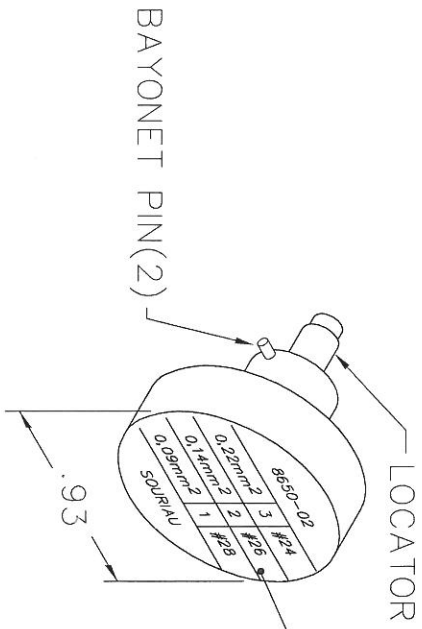
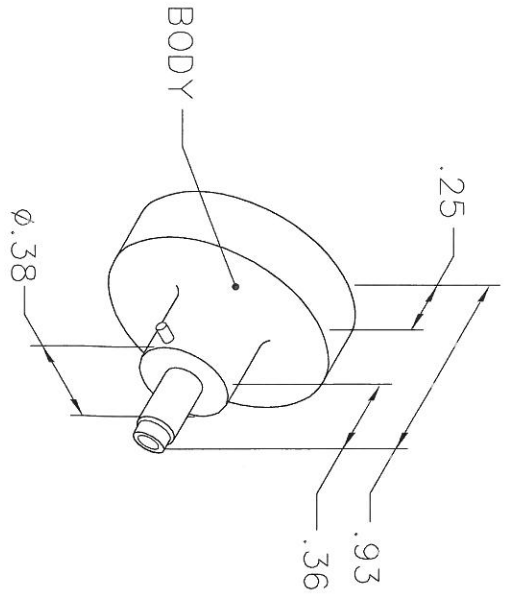


REVISIONS				
REV. SYM.	E.C.O. NUMBER	DESCRIPTION	BY DATE	APP'D DATE
2		ADDED DIA .063 C'BORE	AAM 7-30-99	RRR 7-30-99



8650-02		
0,22mm ²	3	#24
0,14mm ²	2	#26
0,09mm ²	1	#28
SOURIAU		

NOTE: FOR USE WITH DANIELS CRIMP TOOLS ACCOMMODATING "K" SERIES POSITIONERS

LOCATOR	HOLE DIMENSIONS	ADDITIONAL FEATURES
	Ø.059	└┘ Ø.063
	└┘ .580 MIN.	└┘ .093

(B)

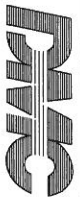
RESTRICTED & CONFIDENTIAL

CONFIDENTIAL PROPERTY OF DANIELS MANUFACTURING CORP. NOT TO BE DISCLOSED TO OTHERS, REPRODUCED OR USED FOR ANY OTHER PURPOSE, EXCEPT AS AUTHORIZED IN WRITING BY DANIELS MANUFACTURING. MUST BE RETURNED TO DANIELS MANUFACTURING CORP. ON COMPLETION OF ORDER OR OTHER PURPOSE FOR WHICH LENT.

DO NOT SCALE DRAWING

DN#	DATE
A. MOO-YOUNG	7-30-99
CHK'D. RRR	7-30-99
APP'D.	DATE
APP'D.	DATE

NOTE: THIS DRAWING IS AN OUTLINE DRAWING OF THE RESPECTIVE DMC PART NUMBER INDICATED. ACTUAL DMC PART NUMBER IS DRAWING NUMBER WITHOUT THE "-ENV" SUFFIX.



DANIELS MANUFACTURING CORP.
ORLANDO, FLORIDA
CAGE 11851

TITLE: ENVELOPE DRAWING POSITIONER

WHERE USED: AFM8
SIZE: A
SCALE: NONE
POSTING:

CAD P/N: K798-ENV
DWG. NO.: K798-ENV

SHEET 1 OF 1
REV. B