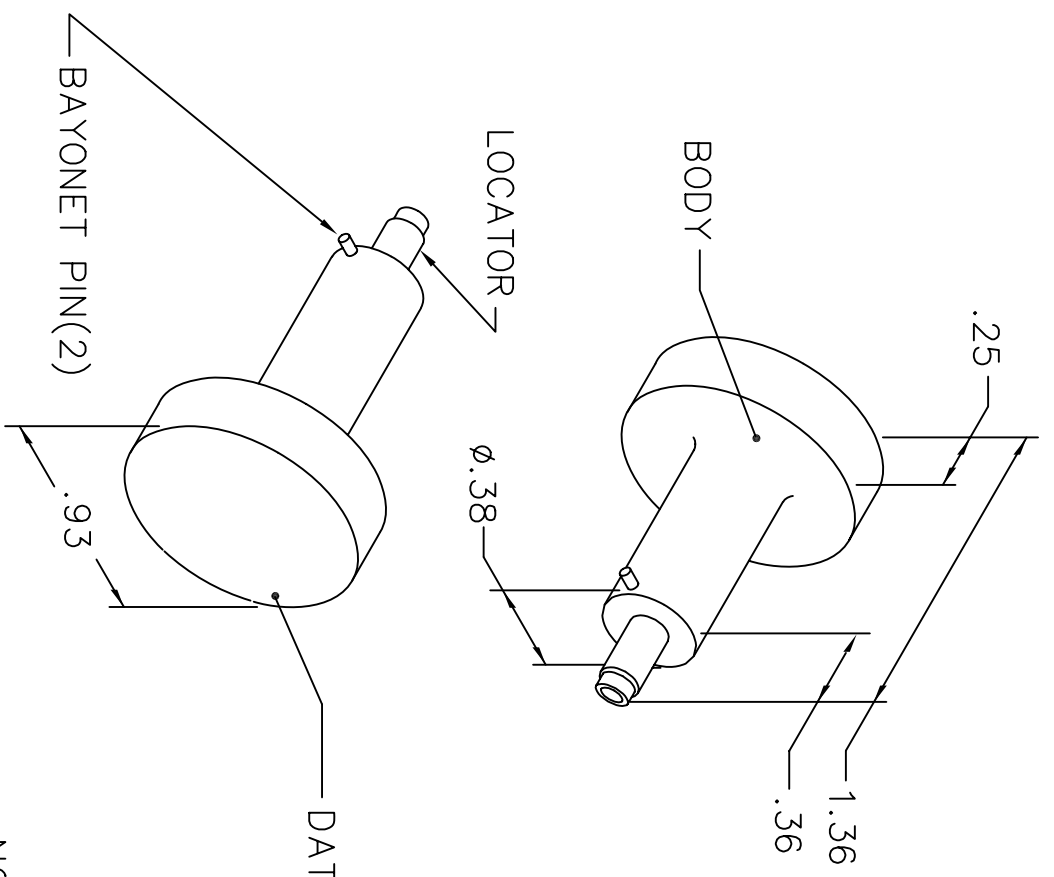


REVISIONS				
REV. SYM.	E.C.O. NUMBER	DESCRIPTION	BY DATE	APP'D DATE
3		.805 WAS .825 ADDED FC6518D	AAM 6-4-99	RRR 6-4-99

**UNCONTROLLED DOCUMENT
WILL NOT BE UPDATED**



POSITRONIC			
FC7518D			
MC7518D			
WIRE	16	18	20
SEL.	8	8	7
FC6018D			
MC6018D			
FC6118D			
FC6518D			

NOTE: FOR USE WITH DANIELS CRIMP TOOLS
ACCOMMODATING "K" SERIES POSITIONERS

LOCATOR	
HOLE DIMENSIONS	ADDITIONAL FEATURES
∅ .089 ∇ .805	

RESTRICTED & CONFIDENTIAL

CONFIDENTIAL PROPERTY OF DANIELS MANUFACTURING CORP. NOT TO BE DISCLOSED TO OTHERS, REPRODUCED OR USED FOR ANY OTHER PURPOSE, EXCEPT AS AUTHORIZED IN WRITING BY DANIELS MANUFACTURING. MUST BE RETURNED TO DANIELS MANUFACTURING CORP. ON COMPLETION OF ORDER OR OTHER PURPOSE FOR WHICH LENT.

DO NOT SCALE DRAWING

DRN. A. MOO-YOUNG	DATE 3-19-99	TITLE		WHERE USED: AFM8	CAD P/N	SHEET 1 OF 1
CHK'D. RRR	DATE 3-19-99	ENVELOPE DRAWING POSITIONER		AFM8	K774-ENV	1
APP'D.	DATE					
NOTE: THIS DRAWING IS AN OUTLINE DRAWING OF THE RESPECTIVE DMC PART NUMBER INDICATED. ACTUAL DMC PART NUMBER IS DRAWING NUMBER WITHOUT THE "-ENV" SUFFIX.			DANIELS MANUFACTURING CORP. ORLANDO, FLORIDA CAGE 11851			
DO NOT SCALE DRAWING			K774-ENV			
			REV. 3			